

SINGER

400W1

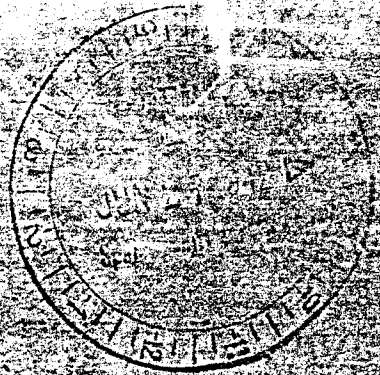
LIST OF PARTS



From the library of The Singer Corp

MACHINE No. 400 w I

THE SINGER MANUFACTURING COMPANY



Copyright, U. S. A., 1938, 1939 and 1940
by The Singer Manufacturing Co.
All Rights Reserved for all Countries

INDEX

	Page
Accessories	12
Binders	14
Bobbin Holder	16
" Winders	12-17
Corder	18
Finger Guards	18
Fittings	26
Hemmers	19
Knee Lifter	13
Machine No.400w1	5
Miscellaneous Parts	24
Numerical List of Parts	33
Piping Attachment	22
Presser Feet	23
Presser Foot Extensions	23
Fuller Feed	24
Thread Unwinder	25

From the library of: Diamond Needle Corp

INSTRUCTIONS FOR ORDERING

In ordering from this list, use ONLY the PART number in the FIRST column.

The number stamped on a Sewing Machine Part is the number of the Single Part only, except when the part includes Set Screws, Clamping Screws, Studs and Rollers Spun on, Small Wires riveted, or Parts soldered together, etc., which it is necessary to furnish in combination.

Every combination of parts sent out has its specific number which, although not stamped on Parts (except in above case), must be used when ordering the combination.

Each number always indicates the SAME PART in whatever list it appears, or for whatever Machine.

The letters after some of the numbers indicate the style of finish only, as follows:

- A. Hardened, Polished, Nickel Plated and Buffed.
- B. Polished, Nickel Plated and Buffed.
- C. Hardened only.
- D. Polished only.
- E. Soft, not polished.
- F. Hardened and Polished.
- H. Blued.
- J. Nickel Plated only.
- R. Merlized.
- X. Black Oxide.
- XC. Hardened and Black Oxide.
- Y. Blade Nickel only.

These letters MUST BE USED when they appear in the list and AFTER the number, as in the list.

In this series:

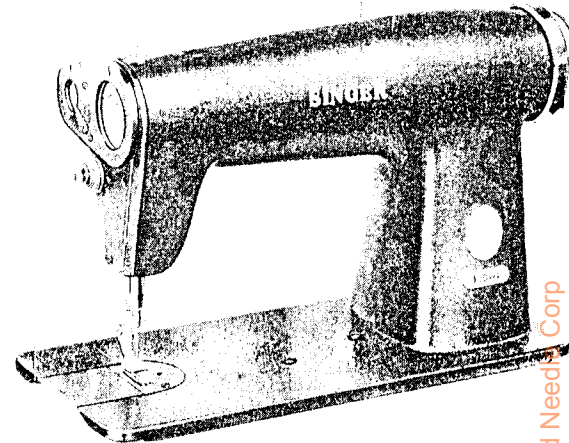
200001 to 201500 and 350001 to 351500 are Screw Numbers.
 201501 to 201800 and 351501 to 351800 are Nut Numbers.
 201801 to 202000 and 351801 to 352000 are Roller Numbers.
 202001 to 350000 are Numbers of Machine Parts.

The figures in the second column refer only to the plate in which the illustration of the part is shown and are TO BE USED in ordering.

Two or more numbers over a cut indicate that the difference between such parts is not visible in an illustration.

Parts marked with an asterisk (*) are furnished when repairs are made at the factory.

LIST OF PARTS COMPLETE FOR



MACHINE No. 400w1

DOUBLE ROTARY DISC TAKE-UP
HIGH SPEED

SINGLE NEEDLE. LOCK STITCH. DROP FEED

FOR STITCHING LIGHT AND MEDIUM WEIGHT FABRICS

No.	Plate	Name
*270001	-----	Arm
270002	18308	" Cover Plate (back)
200041X	18308	" " " Screw (2)
204235	18308	" Position Pin (2)
200004E	18308	" Screw (3)
202005	18308	" " Washer (3)
*270084	-----	" Shaft
270003	18301	" " 270084 with 200333C, 200378C and 270085
270004	18301	Arm Shaft Ball Bearing (back)
270005	18301	" " " " (front)
224103	18301	" " Connection Belt
270006	18301	" " " " Pulley with 200327C, 200602E and two 202253
200602E	18301	Arm Shaft Connection Belt Pulley Position Screw

From the library of: Diamond Needle Corp

No.	Plate	Name
200327C	18301	Arm Shaft Connection Belt Pulley Set Screw
202253	18301	Arm Shaft Connection Belt Pulley Spring Flange
270007	18301	Balance Wheel (belt groove 2-1/8 in. diam.) with 201346C and 350107C
270090	18301	Balance Wheel 270007 with 270004
270081	18301	" " V belt groove (outside diam. of belt groove 2.9 in.) with 201346C and 350107C
270091	18301	Balance Wheel 270081 with 270004
350107C	18301	" " Position Screw
201346C	18301	" " Set Screw
*270008	-----	Bed
270009	18308	" Slide
270011	18307	Face Plate
200583H	18307	" " Screw (6)
143C30	18305	Feed Bar
270012	18305	" " Center (2)
200394C	18305	" " Set Screw
52266	18305	" " Slide Block
52267	18305	" " " 52266 with 125C60
*125060	18305	" " Stud
52031	18309	" Dog, 19 teeth (22 teeth to the inch)
50117E	18309	" " Screw (2)
270013	18305	" Driving Connection
270014	18305	" " " 270013 with 270016
270015	18305	Feed Driving Connection Crank with 200040E
200040E	18305	Feed Driving Connection Crank Pinch Screw
200545C	18305	" " Hinge Screw
201522E	18305	" " " " Nut
270016	18305	" " Needle Bearing
270017	18304	" " Eccentric
270018	18304	" " Adjusting Disc
248415	18304	" " Spring
270019	18304	" " Collar
		with 201220C
201220C	18304	Feed Driving Eccentric Adjusting Disc Spring Collar Position Screw
240231	18304	Feed Driving Eccentric Friction G1b
200369C	18304	" " " " Ad-justing Screw
350101C	18304	Feed Driving Eccentric Friction G1b Ad-justing Screw Set Screw
270020	18304	Feed Driving Flange with 200333C, 200346C, two each 200369C and 350101C

No.	Plate	Name
200333C	18304	Feed Driving Flange Position Screw
200346C	18304	" " " Set Screw
270021	18305	" " Rock Shaft with two 200394C
270022	18305	" " " Center (2)
350277C	18305	" " " " Set Screw (2)
270013	18305	" Lifting Connection
270014	18305	" " " 270013 with 270016
270015	18305	" " " Crank with 200040E
200040E	18305	" " " Pinch Screw
200545C	18305	" " " Hinge Screw
201522E	18305	" " " " Nut
270016	18305	" " " Needle Bearing
270023	18304	" " Eccentric with 200382C and 201220C
201220C	18304	Feed Lifting Eccentric Position Screw
200382C	18304	" " Set Screw
270024	18305	" " Rock Shaft with 52267
270022	18305	" " " Center (2)
350277C	18305	" " " " Set Screw (2)
270025	18304	" Regulating Stud
270026	18304	" " Spring
240245	18304	" " Retaining Spring
270045	18306	Knee Lifter Lifting Link
270046	18308	" " " Connection
200427C	18308	" " " " Set Screw
200293C	18306	" " " Hinge Screw
270047	18308	" " " Rod with 202302
270048	18308	" " " " Connection
200434C	18308	" " " " Set Screw
202302	18308	" " " Cotter Pin
270049	18308	" " Rock Shaft with 200427C and 200434C
270050	18306	Needle Bar with 200141F
270051	18306	" " Bushing (lower)
270052	18306	" " " (upper)
200326C	18306	" " " Set Screw
270053	18306	" " Connecting Link
270054	18306	" " " " 270053 with 270043
270055	18306	Needle Bar Connecting Link Guide Block
200054E	18306	" " " " " "
		Screw (2)
270056	18306	Needle Bar Connecting Link Hinge Stud with 210983
200374C	18301	Needle Bar Connecting Link Hinge Stud Set Screw
270043	18306	Needle Bar Connecting Link Needle Bearing
270057	18306	" " " Stud with 200086C and 202330

No.	Plate	Name
270034	18304	Rotating Hook Driving Shaft Connection Belt Pulley with 202253 and two 200070C
200070C	18304	Rotating Hook Driving Shaft Connection Belt Pulley Set Screw
202253	18304	Rotating Hook Driving Shaft Connection Belt Pulley Spring Flange
270035	18304	Rotating Hook Driving Shaft Gear (inter- nal teeth) with 200382C and 201220C
201220C	18304	Rotating Hook Driving Shaft Gear Posi- tion Screw
200382C	18304	Rotating Hook Driving Shaft Gear Set Screw
270036	18304	Rotating Hook Driving Shaft Oil Lead Wire
270037	18304	Rotating Hook Oil Feeder
201215F	18304	" " " " Screw (2)
270038	18308	" " " Reservoir Cover
270039	18308	" " " " Gasket
200041X	18308	" " " " Screw
		(6)
270082	18304	Rotating Hook Oil Reservoir Oil Gauge
40274	18303	" " Section
1367E	18303	" " " Screw
1253C	18303	" " Set Screw
270040	18304	" " Shaft
270041	18304	" " " Bushing
270042	18304	" " " " 270041 with two
		270043
350277C	18304	Rotating Hook Shaft Bushing Set Screw
270043	18304	" " " Needle Bearing (2)
270092	18304	" " " Oil Packing (wick)
270044	18304	" " " Thrust Washer
270083	18303	" " " Thread Guard
1053E	18303	" " " " Screw
2102	18307	Tension Disc
270076	18306	" Releaser (adjustable)
200132E	18306	" " Screw
32572	18307	" Releasing Disc
270086	18307	" " Pin
13710	18307	" Spring
50304C	18307	" Stud
52098	18307	" " 50304C with 1560C
50305C	18307	" " Set Screw
1560C	18307	" Thumb Nut
270087	18307	Tension complete, Nos. 13710, 32572, 52082, 52083, 52098, 270086 and two 2102
202412	18307	Thread Guide
210954	18307	" " (lower)
270077	18306	" " (on needle bar bushing)

No.	Plate	Name
200580H	18307	Thread Guide Screw
270079	18306	" Pull-off
200196E	18306	" " Set Screw
270080	18307	" Retainer
200355H	18307	" " Set Screw
270078	18307	" Shearing Finger
201215D	18307	" " " Screw
52082	18307	" Take-up Spring
52083	18307	" " " Regulator with 50305C
446C	18307	" " " " Set Screw
52033	18309	Throat Plate (small needle hole)
691F	18309	" " Screw (2)

Genuine Singer Needles should be used
in Singer Machines.
These Needles and their Containers
are marked with the
Company's Trade Mark "SIMANCO." 1

Needles in Containers marked
"For Singer Machines"
are not Singer made needles. 2

ACCESSORIES

No.	Plate	Name
50190W	18308	Attachment Thumb Screw
200459D	18308	" " "
26485	18310	Screw Driver (small)
270010	18303	Rotating Hook Bobbin (5)
228372	18311	Drip Pan with four 1 in. wire nails
88 x 9	18306	Needles six, size 16
12361	18310	Machine Hinge Connection (2)
41400	18310	" Rest Pin (wood)
120342	18310	Oiler (copper plated) with 120343
120343	18310	" Spout (3-1/2 in. long)
259477	18310	Screw Driver 5 in. long, (moulded handle)

BOBBIN WINDER

(SWINGING AUTOMATIC, RIGHT HAND)

259428	18312	Brake (leather)
259429	18312	" Clamp
200113F	18312	" " Screw
225453	18312	Frame with 202277 and 225438
225454	18312	" Hinge Pin
202277	18312	" Oil Packing (wick)
225438	18312	" " Well Cap
225455	18312	" Spring
225456	18312	" " Plunger
225368	18312	Pulley with 200380C
200380C	18312	" Set Screw
225381	18312	Spindle
225444	18312	Stop Latch
200056E	18312	" " Screw
225458	18312	" " Thumb Lever
225459	18312	" " " " Hinge Stud
225459	18312	" " " " Joint Stud
202478	18312	" " Trip Lever
200299H	18312	" " " " Hinge Screw
225461	18312	Tension Bracket with 201499B
200082D	18312	" " Screw
228026	18312	" " Washer

ACCESSORIES

No.	Plate	Name
2102	18312	Tension Disc
13710	18312	" Spring
201499B	18312	" Stud
201572B	18312	" " Thumb Nut
225462	18312	Bobbin Winder Tension Bracket complete, Nos. 13710, 201572B, 225461 and two 2102
259430	18312	Bobbin Winder and Tension Bracket Base
259431	18312	Universal Bobbin Winder complete, Nos. 200056E, 200082D, 200113F, 200299H, 202478, 225368, 225381, 225444, 225453 to 225456, 225458, 225462, 228026, 259428 to 259430 two each 225459 and wood screws 3/4 in., No. 12, R.H. B.

KNEE LIFTER

228360	18311	Rock Lever Bracket with 200347C and three wood screws 7/8 in., No. 12
228361	18311	Rock Lever Bracket 228360 with 228359, 228363 and 228367
228359	18311	Rock Lever with two 350231C
228370	18311	" " Extension with 200529C
350231C	18311	" " " " Set Screw
228363	18311	" " Hinge Pin
228364	18311	" " Knee Plate with 350231C
228369	18311	" " " " Arm
350231C	18311	" " " " " Set Screw
350231C	18311	" " " " " Set Screw
228365	18311	" " Rod
200529C	18311	" " " " Set Screw
228367	18311	" " Stop Stud
200347C	18311	" " " " Set Screw
228371	18311	Knee Lifter Rock Lever complete, Nos. 228361, 228364, 228365, 228369 and 228370 (Other Knee Lifter parts are listed with parts of machine head)

BINDERS

BINDER (English)

FOR GAUGES UP TO $\frac{3}{16}$ INCH

No.	Plate	Name
121444	23226	Feed Dog, 13 teeth (16 teeth to the inch)
25721	23226	Folder
207F	23226	" Screw
7071	23226	" " Washer
25983	23226	Presser Foot
25722	23226	Ribbon Tension
190D	23226	" " Screw
7071	23226	" " " Washer
121445	23226	Throat Plate
26250	23226	Binder complete, Nos. 190D, 207F, 25721, 25722, 25983, 121444, 121445 and two 7071

BINDER (English)

FOR HEAVY WORK

12370	23227	Feed Dog, 15 teeth (16 teeth to the inch)
28334	23227	Folder
193D	23227	" Screw
7071	23227	" " Washer
28676	23227	Presser Foot
28337	23227	Ribbon Tension
233J	23227	" " Screw
28775	23227	Throat Plate
28776	23227	Binder complete, Nos. 193D, 7071, 12370, 28334, 28337, 28676, 28775 and two 233J

BINDER ON SHANK

No.	Plate	Name
35208	23228	Binder on Shank to turn in both edges, for bias or straight binding, for skirts, wrappers, shirt waists, etc.
26603	23228	Feed Dog, 20 teeth (16 teeth to the inch) for 26605 and 26606
52055	23228	Presser Foot
26605	23228	Throat Plate (large needle hole), for 26603
26606	-----	Throat Plate (small needle hole), for 26603

BINDER (Transverse) ON SHANK

FOR FOLDED OR UNFOLDED BIAS BINDING

(WITH TAPE REEL)

FOR GENERAL WORK

FOR $\frac{3}{4}$ IN., $\frac{7}{8}$ IN. AND 1 IN TAPE

121167	22919	Binder Folder on Shank
43525	22919	" Steady Pin
51097J	22919	" Thumb Screw
3146	22919	" " " Washer
121397	22919	Feed Dog, 18 teeth (16 teeth to the inch)
121169	22919	Presser Foot
121412	22919	Tape Reel Arm with 8879, 23263 and 120537
23263	22919	" " " Steady Pin
51097J	22919	" " " Thumb Screw
120536	22919	" " Disc with 120538 and 120539
120537	22919	" " " Pin
8879	22919	" " " Washer
120538	22919	" " " Stud (wood)
120539	22919	" " " Sleeve (brass)
121398	22919	Throat Plate with 43525
121168	22919	Binder (transverse) on Shank complete, Nos. 3146, 120536, 121167, 121169, 121397, 121398, 121412 and two 51097J

BINDER (Transverse) ON SHANK
FOR FOLDED OR UNFOLDED BIAS BINDING
(WITH TAPE REEL)
FOR GENERAL WORK
FOR 3/4 IN., 7/8 IN. AND 1 IN TAPE

No.	Plate	Name
121732	23229	Binder (transverse)
121735	23229	" Releasing Lever
724F	23229	" " " Hinge Screw
121736	23229	" " " Spring
192349	23229	" " " " Position Stud
1443J	23229	" Screw
121733	23229	" Throw-out Arm with 192349
121734	23229	" " " Bracket Rivet
940F	23229	" " " Hinge Screw
35610	23229	" Washer
121738	23229	Feed Dog, 17 teeth (16 teeth to the inch)
121169	23229	Presser Foot
120536	23229	Tape Reel Disc with 120538 and 120539
120538	23229	" " " Stud (wood)
120539	23229	" " " Sleeve (brass)
120740	23229	" " Pin
121739	23229	Throat Plate with two 121734
121737	23229	Binder (transverse) with Throw-out Arm complete, Nos. 724F, 940F, 35610, 120536, 120740, 121169, 121732, 121733, 121735, 121736, 121738, 121739 and two 1443J

BOBBIN HOLDER

225434 18316 Bobbin Holder

BOBBIN WINDER

(SWINGING AUTOMATIC, RIGHT HAND)
FOR "V" BELT DRIVE

No.	Plate	Name
259429	18312	Brake (leather)
259429	18312	" Clamp
200113F	18312	" " Screw
225453	18312	Frame with 202277 and 225438
225454	18312	" Hinge Pin
202277	18312	" Oil Packing (wick)
225438	18312	" " Well Cap
225455	18312	" Spring
225456	18312	" " Plunger
259461	18312	Pulley with 200380C
200380C	18312	" Set Screw
225381	18312	Spindle
225444	18312	Stop Latch
200056E	18312	" " Screw
225458	18312	" " Thumb Lever
225459	18312	" " " Hinge Stud
225459	18312	" " " Joint Stud
202478	18312	" " Trip Lever
200299H	18312	" " " Hinge Screw
225461	18312	Tension Bracket with 201499B
200082D	18312	" " Screw
228026	18312	" " " Washer
2102	18312	" Disc
13710	18312	" Spring
201499B	18312	" Stud
201572B	18312	" " Thumb Nut
225462	18312	Bobbin Winder Tension Bracket complete, Nos. 13710, 201572B, 225461 and two 2102
259430	18312	Bobbin Winder and Tension Bracket Base
259462	18312	Universal Bobbin Winder complete, Nos. 200056E, 200082D, 200113F, 200299H, 202478, 225381, 225444, 225453 to 225456 225458, 225462, 228026, 259428, to 259430 259461, two each 225459 and wood screws 3/4 in. No. 12, R. H. B.

CORDER (Adjustable) FOR SHORT TURNS ON CUSHIONS

WHEN ORDERING STATE SIZE OR
NUMBER OF CORDS TO THE INCH

No.	Plate	Name
26795	23228	Cord Guide
26796	23228	" " Arm
1044D	23228	" " Hinge Screw
120206	23228	" " Bed with 457C
457C	23228	" " Leveling Screw
190D	23228	" " Screw
120207	23228	Corder complete, Nos. 190D, 1044D, 26795, 26796 and 120206
121446	23228	Feed Dog, spiked teeth, 13 teeth (10 teeth to the inch), for 121447
120208	23228	Presser Foot (grooved)
121447	23228	Throat Plate, for 121446

FINGER GUARDS

121326	23227	Finger Guard
36819	23227	" " Friction Washer
36820	23227	" " Holder with 196J
196J	23227	" " Set Screw
50316J	23227	" " Screw
121327	23227	Finger Guard (metal) complete, Nos. 36819, 36820, 50316J and 121326
121507	23227	Finger Guard
120858	23227	" " Holder with 50302J
50302J	23227	" " Set Screw
236J	23227	" " Screw
121562	23227	Finger Guard (wire) complete, Nos. 120858, 121507 and two 236J

HEMMERS HEMMERS (Foot)

No.	Plate	Name
225423	18316	Hemmer (foot), for 5/64 in. hem
120938	23230	" " " 3/32 in. hem
225421	18316	" " " 3/32 in. hem
225424	18316	" " " 1/8 in. hem
120803	23230	" " " 1/8 in. hem
225425	18316	" " " 9/64 in. hem
120804	23230	" " " 5/32 in. hem
225422	18316	" " " 5/32 in. hem
120805	23230	" " " 3/16 in. hem
225426	18316	" " " 3/16 in. hem
36122	23230	" " " 7/32 in. hem
225427	18316	" " " 7/32 in. hem
120806	23230	" " " 1/4 in. hem
225428	18316	" " " 1/4 in. hem
120807	23230	" " " 5/16 in. hem
121761	23230	" " " 1/8 in. hem, for hemming shirts
121762	23230	Hemmer (foot), for 5/32 in. hem
121760	23230	" " " 1/8 in. hem, for hemming shirts
121758	23230	Feed Dog, 13 teeth (16 teeth to the inch), for 121759
121759	23230	Throat Plate (small needle hole), for 121758
35710	23230	Hemmer (foot), for 3/32 in. hem, with guide on bottom to the right of needle hole
35682	23230	Hemmer (foot), for 1/8 in. hem, with guide on bottom to the right of needle hole
36524	23230	Hemmer (foot), for 5/32 in. hem, with guide on bottom to the right of needle hole
35997	23230	Hemmer (foot), for 3/16 in. hem, with guide on bottom to the right of needle hole
36309	23230	Hemmer (foot), for 7/32 in. hem, with guide on bottom to the right of needle hole
36072	23230	Hemmer (foot), for 1/4 in. hem, with guide on bottom to the right of needle hole
120898	23230	Hemmer (foot), for 1/16 in. to 1/8 in. hem, for China Silk, etc.

No.	Plate	Name
120911	23230	Hemmer (foot), for 5/32 in. to 1/4 in. hem, for China Silk, etc.
36413	23230	Hemmer (foot), plain bottom, for 1/16 in. hem
36414	23230	Hemmer (foot), plain bottom, for 3/32 in. hem
36480	23230	Hemmer (foot), plain bottom, for 5/32 in. hem
36416	23230	Hemmer (foot), plain bottom, for 3/16 in. hem
120837	23230	Hemmer (foot), plain bottom, for 1/8 in. hem, slotted, for lace

HEMMERS ON SHANK

20163	23231	Feed Dog, 16 teeth (16 teeth to the inch) for 1/16 in. stitch, for 20123
35926	23231	Hemmer
590J	23231	" Adjusting Screw
1443B	23231	" Screw
35927	23231	" Shank
35540	23231	Hemmer on Shank complete, with right hand lower guide, for lace, Nos. 1443B, 35926, 35927 and two 590J
62527	23231	Presser Foot Hinge Pin
40316	23231	" " Plate
40317	23231	" " Shank
40318	23231	Presser Foot (hinged) complete, for lace running, Nos. 40316, 40317 and 62527
20123	23231	Throat Plate, for 20163
26603	23231	Feed Dog, 20 teeth (16 teeth to the inch) for 26605 and 26606
35236	23231	Hemmer on Shank, for 7/16 in. hem
52055	23231	Presser Foot
26605	23231	Throat Plate (large needle hole), for 26603
26606	-----	Throat Plate (small needle hole), for 26603
26603	23232	Feed Dog, 20 teeth (16 teeth to the inch) for 26605 and 26606
28627	23232	Hemmer on Shank, for 1/8 in. to 5/8 in. gauges
28628	23232	Presser Foot, for 3/8 in. to 5/8 in. gauges
26605	23232	Throat Plate (large needle hole), for 26603
26606	-----	Throat Plate (small needle hole), for 26603

No.	Plate	Name
120991	23232	Hemmer on Shank, for 1/16 in. to 1/4 in. gauges
120367	23232	Hemmer on Shank, for handkerchief work

FOR HEMMING PILLOW CASES

26603	23233	Feed Dog, 20 teeth (16 teeth to the inch), for 26605 and 26606
121667	23233	Hemmer Scroll (lower) Spring
36696	23233	" " " " Lock Pin
337B	23233	" " " " Position Screw
121668	23233	" on Shank with 337B, 36696 and 121667, for 7/8 in. to 2 in. hem
121667	23233	Hemmer Scroll (lower) Spring
36696	23233	" " " " Lock Pin
337B	23233	" " " " Position Screw
121671	23233	" on Shank with 337B, 36696 and 121667, for 2-1/16 in. to 4 in. hem
35063	23233	Presser Foot
26605	23233	Throat Plate (large needle hole), for 26603
26606	-----	Throat Plate (small needle hole), for 26603

FOR HEMMING SHEETS

52031	23234	Feed Dog, 19 teeth (22 teeth to the inch), for 52032 and 52033
259475	18314	Attachment Clamp
50190W	18314	" " Thumb Screw
36776	18314	Hemmer on Shank, for 3 in. hem
1499J	23234	" Screw
121672	23234	" on Shank
121673	23234	" Throw-out Arm with 35522
35522	23234	" " " Pin
121674	23234	Hemmer complete, on Throw-out Arm, for 1 in. hem, Nos. 121672, 121673 and two 1499J
Note: When ordering 121674, state width of hem.		
1499J	23234	Hemmer Screw
121675	23234	" on Shank
121676	23234	" Throw-out Arm with 35522

No.	Plate	Name
35522	23234	Hemmer Throw-out Arm Pin
121677	23234	Hemmer complete, on Throw-out Arm, for 2 in. or 3 in. hem, Nos. 121675, 121676 and two 1499J
121678	23234	Hemmer Tension Spring
121679	-----	Hemmer complete, for 1 in., 2 in. and 3 in. hem., Nos. 24J, 39026, 121674, 121677 and 121678
Note: When ordering No. 121674, state width of hem.		
24J	23234	Hemmer Hinge Screw
39026	23234	" " " Washer
121680	23234	Presser Foot
52032	18314	Throat Plate (large needle hole), for 52031
52033	23234	Throat Plate (small needle hole), for 52031

PIPING ATTACHMENT

44253	18315	Feed Dog, 16 teeth (16 teeth to the inch), for 44255 and 44256
120977	18315	Piping Attachment
1443J	18315	" " Screw
35245	18315	Piping Attachment complete, for piping house dresses, Nos. 1443J and 120977
52056	18315	Presser Foot
44256	18315	Throat Plate (large needle hole), for 44253
44255	-----	Throat Plate (small needle hole), for 44253

PRESSER FEET

36464	23236	Presser Foot Spring Guide
665J	23236	" " " " Screw
36465	23236	Presser Foot (right hand spring guide) with 665J and 36464, for 1/32 in. to 5/16 in. gauges
Note: When ordering No. 36464 or No. 36465, state required distance from edge of goods to seam.		
12335	23236	Presser Foot (narrow)
12435	23236	" " with 228J (with needle hole on right hand side)

No.	Plate	Name
228J	23236	Presser Foot Extension Screw
36714	23236	" " with 233D
36715	23236	" " Guide (right) with 36716
233D	23236	" " " Set Screw
36716	23236	" " " Stud
36717	23236	Presser Foot complete with Adjustable Guide (right) Nos. 36714 and 36715
36773	23236	Presser Foot, for braiding
35528	23236	" " (wide)
120828	23236	" " (single toe), for gathering, for fine work
121763	23236	Presser Foot with hemmer with Yielding Top Scroll
20343	23236	Presser Foot with guide on bottom to the right of needle hole
12462	23236	Presser Foot, for 1/8 in. to 1 in. gauges
12463	23236	" " with strip guide
36654	23236	" " for tucking shirt bosoms
40315	23236	" " long stitch for general work
40322	23236	Presser Foot (narrow)
26276	23236	" " Hinge Pin
20133	23236	" " Plate
19223	23236	" " Shank
20134	23236	Presser Foot (hinged) complete, for 3/16 in. to 1/4 in. gauges for collar and cuff work, Nos. 19223, 20133 and 26276
7298	23236	Presser Foot Hinge Pin
20360	23236	" " Plate
19335	23236	" " Shank
20361	23236	Presser Foot (hinged) plain bottom complete, Nos. 7298, 19335 and 20360

PRESSER FOOT EXTENSIONS

62527	23236	Presser Foot Hinge Pin
20155	23236	" " Plate
20156	23236	" " Shank
20157	23236	Presser Foot (hinged) complete, Nos. 228J 20155, 20156 and 62527
26279	23236	Presser Foot Extension 1/16 inch
26280	23236	" " " 1/8 inch
26281	23236	" " " 1/4 inch
26282	23236	" " " 3/8 inch
26283	23236	" " " 1/2 inch
228J	23236	" " " Screw

MISCELLANEOUS PARTS

USED IN CONJUNCTION WITH THREAD UNWINDER

No.	Plate	Name
60913	17900	Spool Weight with 60914
60914	17900	" " Center Pin
225377	17900	" Wire, for small spools
27739	17900	Thread Cone (wood)
225390	17900	" " Holder

PULLER FEED

259463	18313	Balance Wheel, belt grooves 2-1/8 and 1 in. diam., with 201346C and 350107C
259464	18313	Balance Wheel 259463 with 270004
259465	18313	" " belt grooves 2.9 in. outside diam., for 3/8 in. V belt and 1 in. bottom diam., for round belt, with 201346C and 350107C
259466	18313	Balance Wheel 259465 with 270004
259467	18313	Puller Feed Base with 200364C, 259061, two each 200902D and 205796
259055	18313	Puller Feed Base Block (wood)
200710	18313	" " " Bolt
9842R	18313	" " " Washer
225190	18313	" " Driving Belt size 1/4 in. diam. length 39-1/2 in., with 25128
25128	18313	Puller Feed Driving Belt Hook
237751	18313	" " " Gear with 200382C and 201220C
201220C	18313	Puller Feed Driving Gear Position Screw
200382C	18313	" " " " Set Screw
259057	18313	" " " Pinion
200095B	18313	" " " Cap Screw
259468	18313	" " " Pulley (belt groove 4-1/4 in. diam.), with 200373C
200373C	18313	Puller Feed Driving Pulley Set Screw
259469	18313	" " " " Shaft
259470	18313	" " " " Collar with 201188C
201188C	18313	Puller Feed Driving Pulley Shaft Collar Set Screw

No.	Plate	Name
200364C	18313	Puller Feed Driving Pulley Shaft Set Screw
259471	18313	Puller Feed Roll and Shaft (lower) with 200364C
259470	18313	Puller Feed Roll and Shaft (lower) Collar with 201188C
201188C	18313	Puller Feed Roll and Shaft (lower) Collar Set Screw
200364C	18313	Puller Feed Roll and Shaft (lower) Extension Set Screw
259472	18313	Puller Feed Roll and Shaft (upper)
*259061	-----	" " " " " " Bearing
200902D	18313	" " " " " " " Screw
205796	18313	Puller Feed Roll and Shaft (upper) Bearing Spring
259063	18313	Puller Feed Roll and Shaft Gear with 200394C
200394C	18313	Puller Feed Roll and Shaft Gear Set Screw
259064	18313	Puller Feed Work Guide (wood)
259474	18313	Puller Feed Device complete, Nos. 200095B, 225190, 237751, 259055, 259057, 259064, 259464, 259467 to 259469, 259471, 259472 two each 9842R, 200710, 259063, and 259470

Note: Balance Wheel No. 259466, for machines with belt drive will be furnished with this complete in place of balance wheel No. 259464 if so specified on order.

THREAD UNWINDER

FOR TWO SPOOLS

225257	17900	Spool Rest (for two spools) (flat) with 201018C
15020E	17900	Spool Rest Cushion (felt)
225388	17900	" " Rod
200383C	17900	" " " Set Screw
201018C	17900	" " " Set Screw
202490	17900	" Stand with 200382C
225391	17900	Thread Guide
201696J	17900	" " Lock Nut
225326	17900	" " Position Cup
225324	17900	" " Rod with 200E and 225322

THREAD UNWINDER

No.	Plate	Name
208E	17900	Thread Guide Rod Screw
225322	17900	" " " Washer
225258	17900	Thread Unwinder (for two spools) complete, Nos. 201696J, 202490, 225257, 225224, 225326, 225388, two each 150203, 225391 and three wood screws 7/8 in., No. 12

FITTINGS FOR BUTTON STAYS

26603	18315	Feed Dog, 20 teeth (16 teeth to the inch) for 26605 and 26606
121653	18315	Hemmer on Shank, for 9/16 in. hem
7298	18315	Presser Foot Hinge Pin
120143	18315	" " Plate
19335	18315	" " Shank
120144	18315	Presser Foot (hinged) complete, Nos. 7298, 19335 and 120143
26605	18315	Throat Plate (large needle hole), for 26603
26606	-----	Throat Plate (small needle hole), for 26603

FOR COLLAR WORK (FIRST STITCHING)

20164	23219	Feed Dog, 16 teeth (16 teeth to the inch) for 1/8 in. stitch
52189	23219	Presser Foot (solid)
52190	23219	Throat Plate, for 20164

FOR COLLAR WORK (SECOND STITCHING)

121646	23219	Feed Dog, 12 teeth (16 teeth to the inch) for 121649
121647	23219	Presser Foot with 121648 and two 337J, for 3/16 in., 7/32 in., 1/4 in., 9/32 in. and 5/16 in. gauges

FITTINGS

No.	Plate	Name
121648	23219	Presser Foot Edge Guide, for 3/16 in., 7/32 in., 1/4 in., 9/32 in. and 5/16 in. gauges
337J	23219	Presser Foot Edge Guide Screw
121649	23219	Throat Plate, for 121646

FOR COLLAR AND CUFF WORK

20163	23219	Feed Dog, 16 teeth (16 teeth to the inch) for 1/16 in. stitch
20164	23219	Feed Dog, 16 teeth (16 teeth to the inch) for 1/8 in. stitch
52188	23219	Presser Foot (solid), for cuff work
52189	23219	" " " collar work
20123	23219	Throat Plate, for 20163 and 20164

FOR CUFF WORK

20164	23220	Feed Dog, 16 teeth (16 teeth to the inch) for 1/8 in. stitch, for 52190
52188	23220	Presser Foot (solid)
52190	23220	Throat Plate, for 20164

FOR CURTAIN WORK

143165	23220	Feed Dog, 18 teeth (14 teeth to the inch)
26276	23220	Presser Foot Hinge Pin
143166	23220	" " Plate
143167	23220	" " Shank
52544	23220	" " Spring
143168	23220	Presser Foot (spring hinged) complete, Nos. 26276, 52544, 143166 and 143167
143169	23220	Throat Plate (large needle hole)

FOR GENERAL WORK

No.	Plate	Name
143174	23220	Feed Dog, 17 teeth (14 teeth to the inch) for 143175
143175	23220	Throat Plate (large needle hole), for 143174
52031	23221	Feed Dog, 19 teeth (22 teeth to the inch) for 52032 and 52033
62527	23221	Presser Foot Hinge Pin
24544	23221	" " Plate
24962	23221	" " Shank
26231	23221	" " Spring
24963	23221	Presser Foot (spring hinged) complete, Nos. 24544, 24962, 26231 and 62527
52032	-----	Throat Plate (large needle hole), for 52031
52033	23221	Throat Plate (small needle hole), for 52031
127229	23221	Feed Dog, 17 teeth (14 teeth to the inch) for 127238
62527	23221	Presser Foot Hinge Pin
127233	23221	" " Plate
52390	23221	" " Shank
26231	23221	" " Spring
127234	23221	Presser Foot (spring hinged) complete, Nos. 26231, 52390, 62527 and 127233
131256	23221	Presser Foot Hinge Pin
127257	23221	" " Plate
127258	23221	" " Shank
127259	23221	" " Thread Cutter
239E	23221	" " " " Screw
127260	23221	Presser Foot (hinged) complete with Thread Cutter, Nos. 239E, 127257 to 127259 and 131256
127238	23221	Throat Plate, for 127229
127087	23221	Feed Dog, 19 teeth (16 teeth to the inch) for 127106 and 127107
127106	23221	Throat Plate (large needle hole), for 127087
127107	-----	Throat Plate (small needle hole), for 127087
121446	23222	Feed Dog, spiked teeth, 13 teeth (10 teeth to the inch), for 20356 and 20357
20356	23222	Throat Plate (large needle hole), for 121446

No.	Plate	Name
20357	-----	Throat Plate (small needle hole), for 121446
44158	23222	Feed Dog, 15 teeth (14 teeth to the inch) for 44162
26276	23222	Presser Foot Hinge Pin
44159	23222	" " Plate
44160	23222	" " Shank
44161	23222	Presser Foot (hinged) complete, Nos. 26276 44159 and 44160
44162	23222	Throat Plate, for 44158

FOR SHIRT WORK

143170	23222	Feed Dog, 16 teeth (16 teeth to the inch) for 143171
143171	23222	Throat Plate (large needle hole), for 143170
20159	18316	Feed Dog, 16 teeth (16 teeth to the inch) for 20160
143172	18316	Feed Dog, 18 teeth (18 teeth to the inch) for 20160
143173	18316	Feed Dog, 20 teeth (20 teeth to the inch) for 20160
20160	18316	Throat Plate, for 20159, 143172 and 143173
26603	23224	Feed Dog, 20 teeth (16 teeth to the inch) for 26605 and 26606
7298	23224	Presser Foot Hinge Pin
19334	23224	" " Plate
19335	23224	" " Shank
19336	23224	Presser Foot (hinged) complete, Nos. 7298, 19334 and 19335
26605	23224	Throat Plate (large needle hole), for 26603
26606	-----	Throat Plate (small needle hole), for 26603

FOR SHOULDER JOININGS

No.	Plate	Name
26603	23224	Feed Dog, 20 teeth (16 teeth to the inch) for 26605 and 26606
121662	23224	Joining Attachment
121663	23224	Presser Foot
26605	23224	Throat Plate (large needle hole), for 26603
26606	-----	Throat Plate (small needle hole), for 26603

FOR SLEEVE PLACKETS (Facing)

121655	23225	Binder on Shank
26603	23225	Feed Dog, 20 teeth (16 teeth to the inch) for 26605 and 26606
121656	23225	Presser Foot
26605	23225	Throat Plate (large needle hole), for 26603
26606	-----	Throat Plate (small needle hole), for 26603

FOR TAILOR WORK

44252	23224	Feed Dog, 12 teeth (12 teeth to the inch) for 44255 and 44256
44253	23224	Feed Dog, 16 teeth (16 teeth to the inch) for 44255 and 44256
36574	23224	Presser Foot
36575	23224	" " 36574 with 36576 and two 50202J
36576	23224	Presser Foot Finger Guard
50202J	23224	" " " " Screw
44256	23224	Throat Plate (large needle hole), for 44252 and 44253
44255	-----	Throat Plate (small needle hole), for 44252 and 44253

No.	Plate	Name
44136	23225	Feed Dog, 15 teeth (16 teeth to the inch) for 44137
12142	23225	Presser Foot
20458	23225	" "
44137	23225	Throat Plate, for 44136
52462	23226	Feed Dog, 19 teeth (22 teeth to the inch) for 52463
52463	23226	Throat Plate, for 52462

FOR YOKING

121658	23226	Edge Folder with Edge Guide on Shank
26603	23226	Feed Dog, 20 teeth (16 teeth to the inch) for 26605 and 26606
7298	23226	Presser Foot Hinge Pin
121659	23226	" " Plate
19223	23226	" " Shank
121660	23226	Presser Foot (hinged) complete, Nos. 7298 19223 and 121659
26605	23226	Throat Plate (large needle hole), for 26603
26606	-----	Throat Plate (small needle hole), for 26603

From the library of: Leamond Needle Corp

Genuine Singer Needles should be used
in Singer Machines.
These Needles and their Containers
are marked with the
Company's Trade Mark "SIMANCO." 1

Needles in Containers marked
"For Singer Machines"
are not Singer made needles. 2

Genuine Singer Needles should be used
in Singer Machines.
These Needles and their Containers
are marked with the
Company's Trade Mark "SIMANCO." 1

Needles in Containers marked
"For Singer Machines"
are not Singer made needles. 2

NUMERICAL
LIST
OF PARTS

NUMERICAL LIST OF PARTS

No.	Plate	Name
24J	23234	Hemmer Hinge Screw, for 121679
176J	18306	Presser Foot Screw, for 270059
190D	23226	Binder Ribbon Tension Screw, for 26250
190D	23228	Corder Cord Guide Screw, for 120207
193D	23227	Binder Folder Screw, for 28776
196J	23227	Finger Guard Holder Set Screw, for 36820
207F	23226	Binder Folder Screw, for 26250
208E	17900	Thread Unwinder Thread Guide Rod Screw, for 225324
226J	23236	Presser Foot Extension Screw, for 12435 and 20157
233J	23227	Binder Ribbon Tension Screw, for 28776
233D	23236	Presser Foot Guide Set Screw, for 36714
236J	23227	Finger Guard Screw, for 121562
239E	23221	Presser Foot Thread Cutter Screw, for 127260
337B	23233	Hemmer Scroll (lower) Spring Position Screw, for 121668 and 121671
337J	23219	Presser Foot Edge Guide Screw, for 121647
401D	18307	Rotary Take-up (large) Screw
446C	18307	Thread Take-up Spring Regulator Set Screw
457C	23228	Corder Cord Guide Bed Leveling Screw, for 120206
590J	23231	Hemmer Adjusting Screw, for 35540
591F	18303	Rotating Hook Bobbin Case Tension Spring Regulating Screw, for 52236
592E	18303	Rotating Hook Bobbin Case Latch Stop Screw, for 52237
665J	23236	Presser Foot Spring Guide Screw, for 36465
691F	18309	Throat Plate Screw
724F	23229	Binder Releasing Lever Hinge Screw, for 121737
940F	23229	Binder Throw-out Arm Hinge Screw, for 121737
1044D	23228	Corder Cord Guide Arm Hinge Screw, for 120207
1053E	18303	Rotating Hook Thread Guard Screw, for 270028
1253C	18303	Rotating Hook Set Screw, for 270027
1367E	18303	" " Section Screw, for 270029

NUMERICAL LIST OF PARTS

No.	Plate	Name
1380E	18303	Rotating Hook Bobbin Case Tension Spring Screw, for 52236
1443J	23229	Binder Screw, for 121737
1443B	23231	Hemmer Screw, for 35540
1443J	18315	Piping Attachment Screw, for 35245
1499J	23234	Hemmer Screw, for 121674 and 121677
1560C	18307	Tension Thumb Nut, for 52098
2102	18312	Bobbin Winder Tension Disc, for 225462
2102	18307	Tension Disc, for 270087
2974	18303	Rotating Hook Bobbin Case Latch Lever Fulcrum Pin, for 40393
2975	18303	Rotating Hook Bobbin Case Latch Spring for 52237
3146	22919	Binder Thumb Screw Washer, for 121168
7071	23226	" Folder Screw Washer, for 28776
7071	23226	" Ribbon Tension Screw Washer, for 26250
7298	23236	Presser Foot Hinge Pin, for 19336, 20361, 120144 and 121660
8879	22919	Tape Reel Disc Pin Washer, for 121412
9842R	18313	Puller Feed Base Bolt Washer, for 259474
12142	23225	Presser Foot
12335	23236	" " (narrow)
12361	18310	Machine Hinge Connection
12370	23227	Feed Dog, 15 teeth (16 teeth to the inch) for 28776
12435	23236	Presser Foot with 228J (with needle hole on right hand side)
12462	23236	Presser Foot, for 1/8 in. to 1 in. gauges
12463	23236	" " with strip guide
13710	18312	Bobbin Winder Tension Spring, for 225462
13710	18307	Tension Spring, for 270087
19223	23236	Presser Foot Shank, for 20134 and 121660
19334	23224	" " Plate, for 19336
19335	23236	" " Shank, for 19336, 20361 and 120144
19336	23224	Presser Foot (hinged) complete, Nos. 7298, 19334 and 19335
20123	23231	Throat Plate, for 20163 and 20164
20133	23236	Presser Foot Plate, for 20134
20134	23236	Presser Foot (hinged) complete, for 3/16 in. to 1/4 in. gauges, for collar and cuff work, Nos. 19223, 20133 and 26276
20155	23236	Presser Foot Plate, for 20157
20156	23236	" " Shank, for 20157
20157	23236	Presser Foot (hinged) complete, Nos. 228J, 20155, 20156 and 62527
20159	18316	Feed Dog, 16 teeth (16 teeth to the inch) for 20160

NUMERICAL LIST OF PARTS

No.	Plate	Name
20160	18316	Throat Plate, for 20159, 143172 and 143173
20163	23231	Feed Dog, 16 teeth (16 teeth to the inch) for 1/16 in. stitch, for 20123
20164	23219	Feed Dog, 16 teeth (16 teeth to the inch) for 1/8 in. stitch, for 20123 and 52190 for Collar and Cuff Work
20343	23236	Presser Foot with guide on bottom to the right of needle hole
20356	23222	Throat Plate (large needle hole), for 121446
20357	-----	Throat Plate (small needle hole), for 121446
20360	23236	Presser Foot Plate, for 20361
20361	23236	Presser Foot (hinged) plain bottom complete, Nos. 7298, 19335 and 20360
20458	23225	Presser Foot
23263	22919	Tape Reel Arm Steady Pin, for 121412
24544	18309	Presser Foot Plate, for 24983
24982	18309	" " Shank, for 24983
24983	18309	Presser Foot (spring hinged) complete, Nos. 24544, 24982, 26231 and 62527
25128	18313	Puller Feed Driving Belt Hook, for 225190
25721	23226	Binder Folder, for 26250
25722	23226	" Ribbon Tension, for 26250
25983	23226	Presser Foot, for 26250
26231	18309	" " Spring, for 24983 and 127234
26250	23226	Binder (English) complete, for gauges up to 9/16 in., Nos. 190D, 207F, 25721, 25722, 25983, 121444, 121445 and two 7071
26276	23236	Presser Foot Hinge Pin, for 20134, 44161 and 143168
26279	23236	Presser Foot Extension, 1/16 inch
26280	23236	" " " 1/8 inch
26281	23236	" " " 1/4 inch
26282	23236	" " " 3/8 inch
26283	23236	" " " 1/2 inch
26485	18310	Screw Driver (small)
26603	23228	Feed Dog, 20 teeth (16 teeth to the inch) for 26605 and 26606
26605	23228	Throat Plate (large needle hole), for 26603
26606	-----	Throat Plate (small needle hole), for 26603
26795	23228	Corder Cord Guide, for 120207
26796	23228	" " " Arm, for 120207
27739	17900	Thread Cone (wood)
28334	23227	Binder Folder, for 28776
28337	23227	" Ribbon Tension, for 28776
28627	23232	Hemmer on Shank, for 1/8 in. to 5/8 in. gauges

NUMERICAL LIST OF PARTS

No.	Plate	Name
28628	23232	Presser Foot, for 3/8 in. to 5/8 in. gauges
28676	23227	" " " 28776
28775	23227	Throat Plate, for 28776
28776	23227	Binder (English) complete, for heavy work, Nos. 193D, 7071, 12370, 28334, 28337, 28676 28775 and two 233J
32572	18307	Tension Releasing Disc, for 270087
35063	23233	Presser Foot
35208	23228	Binder on Shank to turn in both edges, for bias or straight binding, for skirts wrappers, shirt waists, etc.
35236	23231	Hemmer on Shank, for 7/16 in. hem
35245	18315	Piping Attachment complete, for piping house dresses, Nos. 1443J and 120977
35522	23234	Hemmer Throw-out Arm Pin, for 121673 and 121676
35528	23236	Presser Foot (wide)
35540	23231	Hemmer on Shank complete, with right hand lower guide, for lace, Nos. 1443B, 35926, 35927 and two 590J
35610	23229	Binder Washer, for 121737
35682	23230	Hemmer (foot) for 1/8 in. hem, with guide on bottom to the right of needle hole
35710	23230	Hemmer (foot), for 3/32 in. hem, with guide on bottom to the right of needle hole
35926	23231	Hemmer, for 35540
35927	23231	" Shank, for 35540
35997	23230	" (foot), for 3/16 in. hem, with guide on bottom to the right of needle hole
36072	23230	Hemmer (foot), for 1/4 in. hem, with guide on bottom to the right of needle hole
36122	23230	Hemmer (foot), for 7/32 in. hem
36309	23230	" " " 7/32 in. hem, with guide on bottom to the right of needle hole
36413	23230	Hemmer (foot), plain bottom, for 1/16 in. hem
36414	23230	Hemmer (foot), plain bottom, for 3/32 in. hem
36416	23230	Hemmer (foot), plain bottom, for 3/16 in. hem
36464	23236	Presser Foot Spring Guide, for 36465
36465	23236	" " (right hand spring guide) with 665J and 36464, for 1/32 in. to 5/16 in. gauges
36480	23230	Hemmer (foot), plain bottom, for 5/32 in. hem
36524	23230	Hemmer (foot), for 5/32 in. hem, with guide on bottom to the right of needle hole

NUMERICAL LIST OF PARTS

No.	Plate	Name
36574	23224	Presser Foot, for 36575
36575	23224	" " 36574 with 36576 and two 50202J
36576	23224	Presser Foot Finger Guard, for 36575
36654	23236	" " for tucking shirt bosoms
36696	23223	Hemmer Scroll (lower) Spring Lock Pin, for 121668 and 121671
36714	23236	Presser Foot with 233D, for 36717
36715	23236	" " Guide (right) with 36716, for 36717
36716	23236	Presser Foot Guide Stud, for 36715
36717	23236	Presser Foot complete with Adjustable Guide (right) Nos. 36714 and 36715
36773	23236	Presser Foot, for braiding
36776	18314	Hemmer on Shank, for 3 in. hem
36819	23227	Finger Guard Friction Washer, for 121327
36820	23227	" " Holder with 196J, for 121327
39026	23234	Hemmer Hinge Screw Washer, for 121679
40274	18303	Rotating Hook Section, for 270029
40315	23236	Presser Foot, for long stitch, for general work
40316	23231	Presser Foot Plate, for 40318
40317	23231	" " Shank, for 40318
40318	23231	Presser Foot (hinged) complete, for lace running, Nos. 40316, 40317 and 62527
40322	23236	Presser Foot (narrow)
40392	18303	Rotating Hook Bobbin Case Latch, for 40393
40393	18303	Rotating Hook Bobbin Case Hinge, Nos. 2974 40392 and 125320, for 52237
40394	18303	Rotating Hook Bobbin Case Tension Spring for 52236
41400	18310	Machine Rest Pin (wood)
43525	22919	Binder Steady Pin, for 121398
44136	23225	Feed Dog, 15 teeth (16 teeth to the inch) for 44137
44137	23225	Throat Plate, for 44136
44158	23222	Feed Dog, 15 teeth (14 teeth to the inch) for 44162
44159	23222	Presser Foot Plate, for 44161
44160	23222	" " Shank, for 44161
44161	23222	Presser Foot (hinged) complete, Nos. 26276 44159 and 44160
44162	23222	Throat Plate, for 44158
44252	23224	Feed Dog, 12 teeth (12 teeth to the inch), for 44255 and 44256
44253	18315	Feed Dog, 16 teeth (16 teeth to the inch), for 44255 and 44256

NUMERICAL LIST OF PARTS

No.	Plate	Name
44255	-----	Throat Plate (small needle hole), for 44252 and 44253
44256	18315	Throat Plate (large needle hole), for 44252 and 44253
50117E	18309	Feed Dog Screw
50190W	18314	Attachment Clamp Thumb Screw
50190W	18308	" " Thumb Screw
50202J	23224	Presser Foot Finger Guard Screw, for 36575
50302J	23227	Finger Guard Holder Set Screw, for 120858
50304C	18307	Tension Stud, for 52098
50305C	18307	" " Set Screw, for 270089
50316J	23227	Finger Guard Screw, for 121327
51097J	22919	Binder Thumb Screw, for 121168
51097J	22919	Tape Reel Arm Thumb Screw, for 121168
52018	18303	Rotating Hook Bobbin Case Holder Posi- tion Bracket
52031	18309	Feed Dog, 19 teeth (22 teeth to the inch) for 52032 and 52033
52032	18314	Throat Plate (large needle hole), for 52031
52033	18309	Throat Plate (small needle hole), for 52031
52055	23228	Presser Foot
52056	18315	" "
52082	18307	Thread Take-up Spring, for 270087
52083	18307	" " " Regulator with 50305C for 270087
52098	18307	Tension Stud 50304C with 1560C, for 270087
52188	23219	Presser Foot (solid), for cuff work
52189	23219	" " " for collar work
52190	23219	Throat Plate, for 20164
52235	18303	Rotating Hook Bobbin Case, for 52236
52236	18303	" " " " 52235 with 591F 1380E and 40394, for 52237
52237	18303	Rotating Hook Bobbin Case complete, Nos. 592E, 2975, 40393 and 52236, for 127241 and 270030
52266	18305	Feed Bar Slide Block, for 52267
52267	18305	" " " " 52266 with 125060, for 270024
52390	23221	Presser Foot Shank, for 127234
52462	23226	Feed Dog, 19 teeth (22 teeth to the inch) for 52463
52463	23226	Throat Plate, for 52462
52544	23220	Presser Foot Spring, for 143168
60913	17900	Spool Weight with 60914
60914	17900	" " Center Pin, for 60913
62527	18309	Presser Foot Hinge Pin, for 20157, 24983, 40318 and 127234

NUMERICAL LIST OF PARTS

No.	Plate	Name
120143	18315	Presser Foot Plate, for 120144
120144	18315	Presser Foot (hinged) complete, for Button Stays, Nos. 7298, 19335 and 120143
120206	23228	Corder Cord Guide Bed with 457C, for 120207
120207	23228	Corder (adjustable) complete, for short turns on cushions, Nos. 190D, 1044D, 26795, 26796 and 120206
120208	23228	Presser Foot (grooved)
120342	18310	Oiler (copper plated) with 120343
120343	18310	" Spout (3-1/2 in. long), for 120342
120367	23232	Hemmer on Shank, for handkerchief work
120536	22919	Tape Reel Disc with 120538 and 120539, for 121168 and 121737
120537	22919	Tape Reel Disc Pin, for 121412
120538	22919	" " " Stud (wood), for 120536
120539	22919	" " " " Sleeve (brass), for 120536
120740	23229	Tape Reel Pin, for 121737
120803	23230	Hemmer (foot), for 1/8 in. hem
120804	23230	" " " 5/32 in. hem
120805	23230	" " " 3/16 in. hem
120806	23230	" " " 1/4 in. hem
120807	23230	" " " 5/16 in. hem
120928	23236	Presser Foot (single toe), for gathering for fine work
120827	23230	Hemmer (foot), plain bottom, for 1/8 in. hem, slotted, for lace
120858	23227	Finger Guard Holder with 50302J, for 121562
120898	23230	Hemmer (foot), for 1/16 in. to 1/8 in. hem, for China Silk, etc.
120911	23230	Hemmer (foot), for 5/32 in. to 1/4 in. hem, for China Silk, etc.
120938	23230	Hemmer (foot), for 3/32 in. hem
120977	18315	Piping Attachment, for 35245
120991	23232	Hemmer on Shank, for 1/16 in. to 1/4 in. gauges
121167	22919	Binder Folder on Shank, for 121168
121168	22919	Binder (transverse) on Shank complete, (for folded or unfolded bias binding with tape reel) for general work, for 3/4 in., 7/8 in., and 1 in. tape, Nos. 3146, 120536, 121167, 121169, 121397, 121398 121412 and two 51097J
121169	22919	Presser Foot, for 121168 and 121737
121326	23227	Finger Guard, for 121327

NUMERICAL LIST OF PARTS

No.	Plate	Name
121327	23227	Finger Guard (metal) complete, Nos. 36819, 36820, 50316J and 121326
121397	22919	Feed Dog, 18 teeth (16 teeth to the inch) for 121168
121398	22919	Throat Plate with 43525, for 121168
121412	22919	Tape Reel Arm with 8879, 23263 and 120537 for 121168
121444	23226	Feed Dog, 13 teeth (16 teeth to the inch) for 26250
121445	23226	Throat Plate, for 26250
121446	23228	Feed Dog, spiked teeth, 13 teeth (10 teeth to the inch), for 20356, 20357 and 121447
121447	23228	Throat Plate, for 121446
121507	23227	Finger Guard, for 121562
121562	23227	Finger Guard (wire) complete, Nos. 120858, 121507 and two 236J
121646	23219	Feed Dog, 12 teeth (16 teeth to the inch) for 121649
121647	23219	Presser Foot with 121648 and two 337J, for 3/16 in., 7/32 in., 1/4 in., 9/32 in. and 5/16 in. gauges, for Collar Work (second stitching)
121648	23219	Presser Foot Edge Guide, for 3/16 in., 7/32 in., 1/4 in., 9/32 in. and 5/16 in. gauges, for 121647
121649	23219	Throat Plate, for 121646
121653	18315	Hemmer on Shank, for 9/16 in. hem
121655	23225	Binder on Shank, for Facing Sleeve Plackets
121656	23225	Presser Foot, for Facing Sleeve Plackets
121658	23226	Edge Folder with Edge Guide on Shank, for Yoking
121659	23226	Presser Foot Plate, for 121660
121660	23226	Presser Foot (hinged) complete, for Yoking Nos. 7298, 19223 and 121659
121662	23224	Joining Attachment, for Shoulder Joining
121663	23224	Presser Foot, for Shoulder Joining
121667	23233	Hemmer Scroll (lower) Spring, for 121668 and 121671
121668	23233	Hemmer on Shank with 337B, 36696 and 121667, for 7/8 in. to 2 in. hem, for hemming pillow cases
121671	23233	Hemmer on Shank with 337B, 36696 and 121667, for 2-1/16 in. to 4 in. hem, for hemming pillow cases
121672	23234	Hemmer on Shank, for 121674

NUMERICAL LIST OF PARTS

No.	Plate	Name
121673	23234	Hemmer Throw-out Arm with 35522, for 121674
121674	23234	Hemmer complete, on Throw-out Arm, for 1 in. hem, Nos. 121672, 121673 and two 1499J, for 121679
121675	23234	Hemmer on Shank, for 121677
121676	23234	" Throw-out Arm with 35522, for 121677
121677	23234	Hemmer complete, on Throw-out Arm, for 2 in. or 3 in. hem, Nos. 121675, 121676 and two 1499J, for 121679
121678	23234	Hemmer Tension Spring, for 121679
121679	-----	Hemmer complete, for 1 in., 2 in. and 3 in. hem, for hemming shirts, Nos. 24J, 39026, 121674, 121677 and 121678
121680	23234	Presser Foot
121732	23229	Binder (transverse), for 121737
121733	23229	" Throw-out Arm with 192349, for 121737
121734	23229	" " " Bracket Rivet, for 121739
121735	23229	Binder Releasing Lever, for 121737
121736	23229	" " " Spring, for 121737
121737	23229	Binder (transverse) with Throw-out Arm complete, for folded or unfolded bias binding (with tape reel), for general work, for 3/4 in., 7/8 in. and 1 in. tape Nos. 724F, 940F, 35610, 120536, 120740, 121169, 121732, 121733, 121735, 121736, 121738, 121739 and two 1443J
121738	23229	Feed Dog, 17 teeth (16 teeth to the inch), for 121737
121739	23229	Throat Plate with two 121734, for 121737
121758	23230	Feed Dog, 13 teeth (16 teeth to the inch), for 121759
121759	23230	Throat Plate (small needle hole), for 121758
121760	23230	Hemmer (foot), for 1/8 in. hem, for hemming shirts
121761	23230	Hemmer (foot), for 1/8 in. hem, for hemming shirts
121762	23230	Hemmer (foot), for 5/32 in. hem
121763	23236	Presser Foot with hemmer with Yielding Top Scroll
*125060	18305	Feed Bar Slide Block Stud, for 52267
125320	18303	Rotating Hook Bobbin Case Latch Lever, for 40393
127087	23221	Feed Dog, 19 teeth (16 teeth to the inch), for 127106 and 127107

NUMERICAL LIST OF PARTS

No.	Plate	Name
127106	23221	Throat Plate (large needle hole),for 127087
127107	-----	Throat Plate (small needle hole),for 127087
127229	23221	Feed Dog,17 teeth (14 teeth to the inch) for 127238
127233	23221	Presser Foot Plate,for 127234
127234	23221	Presser Foot (spring hinged) complete, Nos.26231,52390,62527 and 127233
127238	23221	Throat Plate,for 127229
127241	18303	Rotating Hook Bobbin Case 52237 with 127242
127242	18303	Rotating Hook Bobbin Case Holder,for 127241 and 270029 Nos.127257 to 127259,for 127260
127257	23221	Presser Foot Plate
127258	23221	" " Shank
127259	23221	" " Thread Cutter
127260	23221	Presser Foot (hinged) complete with Thread Cutter,Nos.239E,127257 to 127259 and 131256
131256	23221	Presser Foot Hinge Pin,for 127260
143030	18305	Feed Bar
143165	23220	" Dog,18 teeth (14 teeth to the inch) for 143169
143166	23220	Presser Foot Plate,for 143168
143167	23220	" " Shank,for 143168
143168	23220	Presser Foot (spring hinged) complete, Nos.26276,52544,143166 and 143167,for Curtain Work
143169	23220	Throat Plate (large needle hole),for 143165
143170	23222	Feed Dog,16 teeth (16 teeth to the inch) for 143171
143171	23222	Throat Plate (large needle hole),for 143170
143172	18316	Feed Dog,18 teeth (18 teeth to the inch) for 20160
143173	18316	Feed Dog,20 teeth (20 teeth to the inch) for 20160
143174	23220	Feed Dog,17 teeth (14 teeth to the inch) for 143175
143175	23220	Throat Plate (large needle hole),for 143174
150203	17900	Thread Unwinder Spool Rest Cushion (felt) for 225258
192349	23229	Binder Releasing Lever Spring Position Stud,for 121733

NUMERICAL LIST OF PARTS

No.	Plate	Name
200004E	18308	Arm Screw
200040E	18305	Feed Driving Connection Crank Pinch Screw,for 270015
200040E	18305	Feed Lifting Connection Crank Pinch Screw,for 270015
200041X	18308	Arm Cover Plate Screw
200041X	18308	Rotating Hook Oil Reservoir Cover Screw
200054E	18306	Needle Bar Connecting Link Guide Block Screw
200056E	18312	Bobbin Winder Stop Latch Screw,for 259431 and 259462
200070C	18304	Rotating Hook Driving Shaft Connection Belt Pulley Set Screw,for 270034
200077D	18303	Rotating Hook Bobbin Case Holder Posi- tion Bracket Screw
200082D	18312	Bobbin Winder Tension Bracket Screw,for 259431 and 259462
200086C	18306	Needle Bar Connecting Stud Pinch Screw, for 270057
200095B	18313	Puller Feed Driving Pinion Cap Screw,for 259474
200113F	18312	Bobbin Winder Brake Clamp Screw,for 259431 and 259462
200132E	18306	Tension Releaser Screw
200141F	18306	Needle Set Screw,for 270050
200196E	18306	Thread Pull-off Set Screw,for 270063
200293C	18306	Knee Lifter Lifting Link Hinge Screw
200299H	18312	Bobbin Winder Stop Latch Trip Lever Hinge Screw,for 259431 and 259462
200326C	18306	Needle Bar Bushing (upper) Set Screw
200327C	18301	Arm Shaft Connection Belt Pulley Set Screw,for 270006
200333C	18304	Feed Driving Flange Position Screw,for 270020
200333C	18301	Needle Bar Crank Position Screw,for 270003
200346C	18304	Feed Driving Flange Set Screw,for 270020
200347C	18311	Knee Lifter Rock Lever Stop Stud Set Screw,for 228360
200347C	18301	Rotary Take-up (small) Driving Shaft Driving Pulley Set Screw,for 270070
200355H	18307	Thread Retainer Set Screw
200362C	18304	Rotating Hook Driving Shaft Bushing Set Screw
200364C	18313	Puller Feed Driving Pulley Shaft Set Screw,for 259467

NUMERICAL LIST OF PARTS

No.	Plate	Name
200364C	18313	Puller Feed Roll and Shaft (lower) Extension Set Screw, for 259471
200369C	18304	Feed Driving Eccentric Friction G1b Adjusting Screw, for 270020
200373C	18313	Puller Feed Driving Pulley Set Screw, for 259468
200374C	18301	Needle Bar Connecting Link Hinge Stud Set Screw, for 270085
200378C	18301	Needle Bar Crank Position Screw Check Screw, for 270003
200380C	18312	Bobbin Winder Pulley Set Screw, for 225368 and 259461
200382C	18304	Feed Lifting Eccentric Set Screw, for 270023
200382C	18313	Puller Feed Driving Gear Set Screw, for 237751
200382C	18302	Rotary Take-up (small) Driving Shaft Pulley Set Screw, for 270072
200382C	18304	Rotating Hook Driving Shaft Gear Set Screw, for 270035
200383C	17900	Thread Unwinder Spool Rest Rod Set Screw, for 202490
200394C	18305	Feed Bar Center Set Screw, for 270021
200394C	18313	Puller Feed Roll and Shaft Gear Set Screw, for 259063
200427C	18308	Knee Lifter Lifting Link Connection Set Screw, for 270049
200434C	18308	Knee Lifter Lifting Rod Connection Set Screw, for 270049
200459D	18308	Attachment Thumb Screw
200529C	18311	Knee Lifter Rock Lever Rod Set Screw, for 228370
200545C	18305	Feed Driving Connection Hinge Screw
200545C	18305	" Lifting Connection Hinge Screw
200580H	18307	Thread Guide Screw
200583H	18307	Face Plate Screw
200583H	18307	Rotary Take-up Guard Screw
200602E	18301	Arm Shaft Connection Belt Pulley Position Screw, for 270006
200710	18313	Puller Feed Base Bolt, for 259474
200902D	18313	" " Roll and Shaft (upper) Bearing Screw, for 259467
201018C	17900	Thread Unwinder Spool Rest Set Screw, for 225257
201188C	18313	Puller Feed Driving Pulley Shaft Collar Set Screw, for 259470
201188C	18313	Puller Feed Roll and Shaft (lower) Collar Set Screw, for 259470

NUMERICAL LIST OF PARTS

No.	Plate	Name
201215F	18304	Rotating Hook Oil Feeder Screw
201215D	18307	Thread Shearing Finger Screw
201220C	18304	Feed Driving Eccentric Adjusting Disc Spring Collar Position Screw, for 270019
201220C	18304	Feed Lifting Eccentric Position Screw, for 270023
201220C	18313	Puller Feed Driving Gear Position Screw, for 237751
201220C	18304	Rotating Hook Driving Shaft Gear Position Screw, for 270035
201253F	18302	Rotary Take-up (small) Thread Shearing Block Screw
201346C	18301	Balance Wheel Set Screw, for 259463 and 259465, 270007 and 270081
201499B	18312	Bobbin Winder Tension Stud, for 225461
201522E	18305	Feed Driving Connection Hinge Screw Nut
201522E	18305	" Lifting Connection Hinge Screw Nut
201572B	18312	Bobbin Winder Tension Stud Thumb Nut, for 225462
201696J	17900	Thread Unwinder Thread Guide Lock Nut, for 225258
202005	18308	Arm Screw Washer
202253	18301	" Shaft Connection Belt Pulley Spring Flange, for 270006
202253	18304	Rotating Hook Driving Shaft Connection Belt Pulley Spring Flange, for 270034
202277	18312	Bobbin Winder Frame Oil Packing (wick), for 225453
202302	18308	Knee Lifter Lifting Rod Cotter Pin, for 270047
202330	18306	Needle Bar Connecting Stud Oil Packing (wick), for 270057
202412	18307	Thread Guide
202478	18312	Bobbin Winder Stop Latch Trip Lever, for 259431 and 259462
202490	17900	Thread Unwinder Spool Stand with 200383C for 225258
204235	18308	Arm Position Pin
205796	18313	Puller Feed Roll and Shaft (upper) Bearing Spring, for 259467
206608	18306	Presser Bar Lifting Releasing Lever Bracket Spring
210954	18307	Thread Guide (lower)
210983	18306	Rotary Take-up (large) Position Pin, for 270056
222598	18304	Rotating Hook Driving Shaft Bushing Oil Packing (wick), for 270033

NUMERICAL LIST OF PARTS

No.	Plate	Name
224103	18301	Arm Shaft Connection Belt
225190	18313	Puller Feed Driving Belt size 1/4 in. diam., length 39-1/2 in., with 25128, for 259474
225257	17900	Thread Unwinder Spool Rest. (for two spools) (flat) with 201018C, for 225258
225258	17900	Thread Unwinder (for two spools) complete Nos. 201696J, 202490, 225257, 225324, 225326, 225388, two each 150203, 225391 and three wood screws 7/8 in., No. 12
225322	17900	Thread Unwinder Thread Guide Rod Washer, for 225324
225324	17900	Thread Unwinder Thread Guide Rod with 208E and 225322
225326	17900	Thread Unwinder Thread Guide Position Cup, for 225258
225368	18312	Bobbin Winder Pulley with 200380C, for 259431
225377	17900	Spool Wire, for small spools
225381	18312	Bobbin Winder Spindle, for 259431 and 259462
225388	17900	Thread Unwinder Spool Rest Rod, for 225258
225390	17900	Thread Cone Holder
225391	17900	" Unwinder Thread Guide, for 225258
225421	18316	Hammer (foot), for 3/32 in. hem
225422	18316	" " " 5/32 in. hem
225423	18316	" " " 5/64 in. hem
225424	18316	" " " 1/8 in. hem
225425	18316	" " " 9/64 in. hem
225426	18316	" " " 3/16 in. hem
225427	18316	" " " 7/32 in. hem
225428	18316	" " " 1/4 in. hem
225434	18316	Bobbin Holder
225438	18312	" Winder Frame Oil Well Cap, for 225453
225444	18312	" " Stop Latch, for 259431 and 259462
		Nos. 225453 to 225456, for 259431 and 259462
225453	18312	Bobbin Winder Frame with 202277 and 225438
225454	18312	Bobbin Winder Frame Hinge Pin
225455	18312	" " " Spring
225456	18312	" " " Plunger
225458	18312	" " Stop Latch Thumb Lever, for 259431 and 259462
225459	18312	Bobbin Winder Stop Latch Thumb Lever Hinge Stud, for 259431 and 259462

NUMERICAL LIST OF PARTS

No.	Plate	Name
225459	18312	Bobbin Winder Stop Latch Thumb Lever Joint Stud, for 259431 and 259462
225461	18312	Bobbin Winder Tension Bracket with 201499B, for 225462
225462	18312	Bobbin Winder Tension Bracket complete Nos. 13710, 201572B, 225461 and two 2102 for 259431 and 259462
228026	18312	Bobbin Winder Tension Bracket Screw Washer, for 259431 and 259462
228359	18311	Knee Lifter Rock Lever with two 350231C for 228361
228360	18311	Knee Lifter Rock Lever Bracket with 200347C and three wood screws 7/8 in. No. 12, for 228361
228361	18311	Knee Lifter Rock Lever Bracket 228360 with 228359, 228363 and 228367, for 228371
228363	18311	Knee Lifter Rock Lever Hinge Pin, for 228361
228364	18311	Knee Lifter Rock Lever Knee Plate with 350231C, for 228371
228365	18311	Knee Lifter Rock Lever Rod, for 228371
228367	18311	" " " " Stop Stud, for 228361
228369	18311	Knee Lifter Rock Lever Knee Plate Arm, for 228371
228370	18311	Knee Lifter Rock Lever Extension with 200529C, for 228371
228371	18311	Knee Lifter Rock Lever complete, Nos. 228361, 228364, 228365, 228369 and 228370
228372	18311	Drip Pan with four 1 in. wire nails
237751	18313	Puller Feed Driving Gear with 200382C and 201220C, for 259474
240231	18304	Feed Driving Eccentric Friction G1b
240245	18304	" Regulating Stud Retaining Spring
248415	18304	" Driving Eccentric Adjusting Disc Spring
259055	18313	Puller Feed Base Block (wood), for 259474
259057	18313	" " Driving Pinion, for 259474
*259061	-----	" " Roll and Shaft (upper) Bearing for 259467

NUMERICAL LIST OF PARTS

No.	Plate	Name
259063	18313	Puller Feed Roll and Shaft Gear with 200394C, for 259474
259064	18313	Puller Feed Work Guide (wood), for 259474 Nos. 259428 to 259430, for 259431 and 259462
259428	18312	Bobbin Winder Brake (leather)
259429	18312	" " " Clamp
259430	18312	" " and Tension Bracket Base
259431	18312	Universal Bobbin Winder complete, Nos. 200056E, 200082D, 200113F, 200299H, 202478 225368, 225381, 225444, 225453 to 225456 225458, 225462, 228026, 259428 to 259430 two each 225459 and wood screws 3/4 in., No. 12, R. H. B.
259461	18312	Bobbin Winder Pulley with 200380C, for 259462
259462	18312	Universal Bobbin Winder complete (for V belt drives) Nos. 200056E, 200082D, 200113F, 200299H, 202478, 225381, 225444, 225453 to 225456, 225458, 225462, 228026, 259428 to 259430, 259461 two each 225459 and wood screws 3/4 in., No. 12, R. H. B.
259463	18313	Balance Wheel, belt grooves 2-1/8 and 1 in. diam., with 201346C and 350107C, for 259464
259464	18313	Balance Wheel 259463 with 270004, for 259474
259465	18313	Balance Wheel, belt grooves 2.9 in. outside diam., for 3/8 in. V belt and 1 in. bottom diam., for round belt, with 201346C and 350107C, for 259466
259466	18313	Balance Wheel 259465 with 270004 Nos. 259467 to 259472, for 259474
259467	18313	Puller Feed Base with 200364C, 259061 two each 200902D and 205796
259468	18313	Puller Feed Driving Pulley (belt groove 4-1/4 in. diam.), with 200373C
259469	18313	Puller Feed Driving Pulley Shaft
259470	18313	" " " " Collar with 201188C
259470	18313	Puller Feed Roll and Shaft (lower) Collar with 201188C
259471	18313	Puller Feed Roll and Shaft (lower) with 200364C
259472	18313	Puller Feed Roll and Shaft (upper)
259474	18313	Puller Feed Device complete, Nos. 200095B 225190, 237751, 259055, 259057, 259064, 259464, 259467 to 259469, 259471, 259472 two each 9842R, 200710, 259063 and 259470

NUMERICAL LIST OF PARTS

No.	Plate	Name
259475	18314	Attachment Clamp
259477	18310	Screw Driver 5 in. long (moulded handle)
*270001	-----	Arm
270002	18308	" Cover Plate (back)
270003	18301	" Shaft 270084 with 200333C, 200378C and 270085
270004	18301	Arm Shaft Ball Bearing (back), for 259464 259466, 270090 and 270091
270005	18301	Arm Shaft Ball Bearing (front)
270006	18301	" " Connection Belt Pulley with 200327C, 200602E and two 202253
270007	18301	Balance Wheel (belt groove 2-1/8 in. diam.) with 201346C and 350107C, for 270090
*270008	-----	Bed
270009	18308	" Slide
270010	18303	Rotating Hook Bobbin
270011	18307	Face Plate
270012	18305	Feed Bar Center
270013	18305	" Driving Connection, for 270014
270013	18305	" Lifting Connection, for 270014
270014	18305	" Driving Connection 270013 with 270016
270014	18305	" Lifting Connection 270013 with 270016
270015	18305	" Driving Connection Crank with 200040E
270015	18305	" Lifting Connection Crank with 200040E
270016	18305	" Driving Connection Needle Bearing, for 270014
270016	13305	Feed Lifting Connection Needle Bearing, for 270014
270017	18304	Feed Driving Eccentric
270018	18304	" " " Adjusting Disc
270019	18304	" " " " Spring
270020	18304	Collar with 201220C
270021	18305	Feed Driving Flange with 200333C, 200346C two each 200369C and 350101C
270022	18305	Feed Driving Rock Shaft with two 200394C
270022	18305	" " " " Center
270023	18304	" Lifting Rock Shaft Center
270023	18304	" " Eccentric with 200382C and 201220C
270024	18305	Feed Lifting Rock Shaft with 52267
270025	18304	" Regulating Stud
270026	18304	" " " Spring
270027	18303	Rotating Hook with three 1253C, for 270028
270028	18303	Rotating Hook 270027 with 270083 and four 1053E, for 270029

NUMERICAL LIST OF PARTS

No.	Plate	Name
350231C	18311	Knee Lifter Rock Lever Extension Set Screw, for 228359
350231C	18311	Knee Lifter Rock Lever Knee Plate Arm Set Screw, for 228359
350231C	18311	Knee Lifter Rock Lever Knee Plate Set Screw, for 228364
350277C	18305	Feed Driving Rock Shaft Center Set Screw
350277C	18305	Feed Lifting Rock Shaft Center Set Screw
350277C	18304	Rotating Hook Shaft Bushing Set Screw
350411C	18306	Presser Bar Position Guide Pinch Screw, for 270063
350418C	18302	Rotary Take-up (small) Set Screw, for 270067
350435C	18308	Presser Bar Spring Screw (pressure regu- lating)
350442C	18306	Presser Bar Lifter Hinge Screw

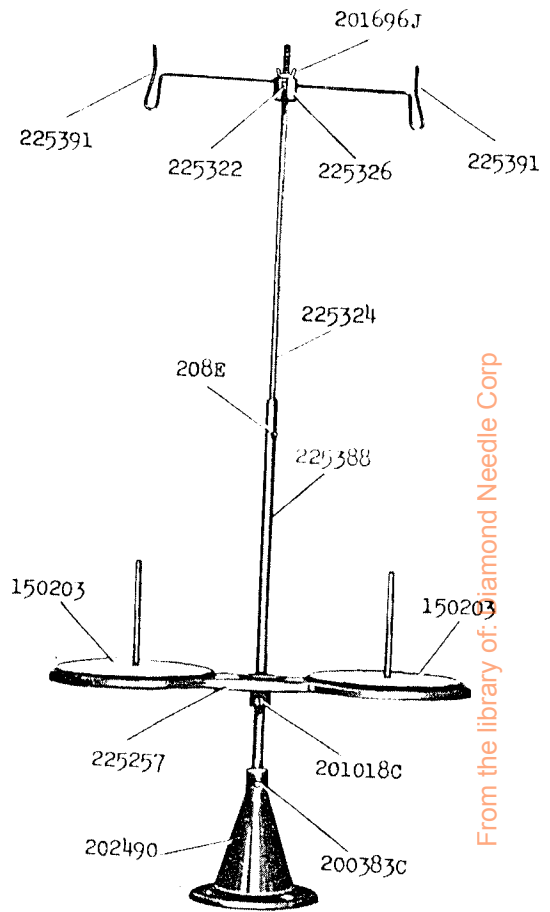
Genuine Singer Needles should be used
in Singer Machines.
These Needles and their Containers
are marked with the
Company's Trade Mark "SIMANCO." 1

Needles in Containers marked
"For Singer Machines"
are not Singer made needles. 2

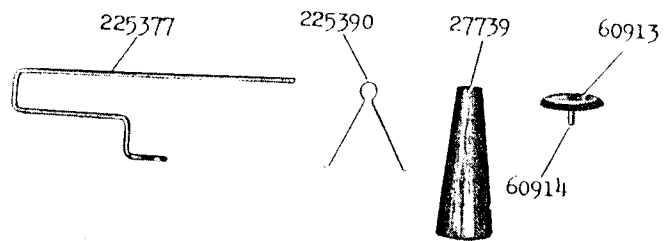
ILLUSTRATIONS OF PARTS

17900 - 1/6

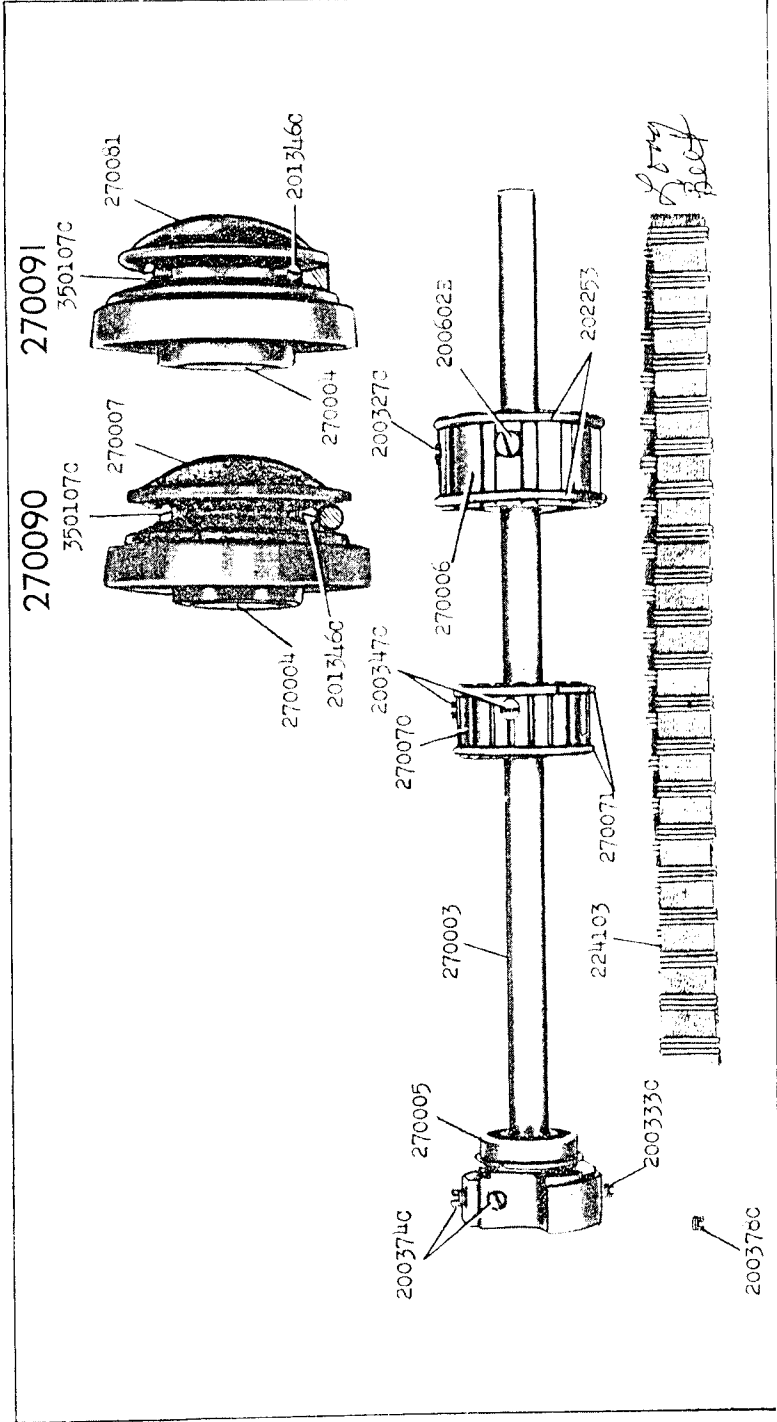
225258



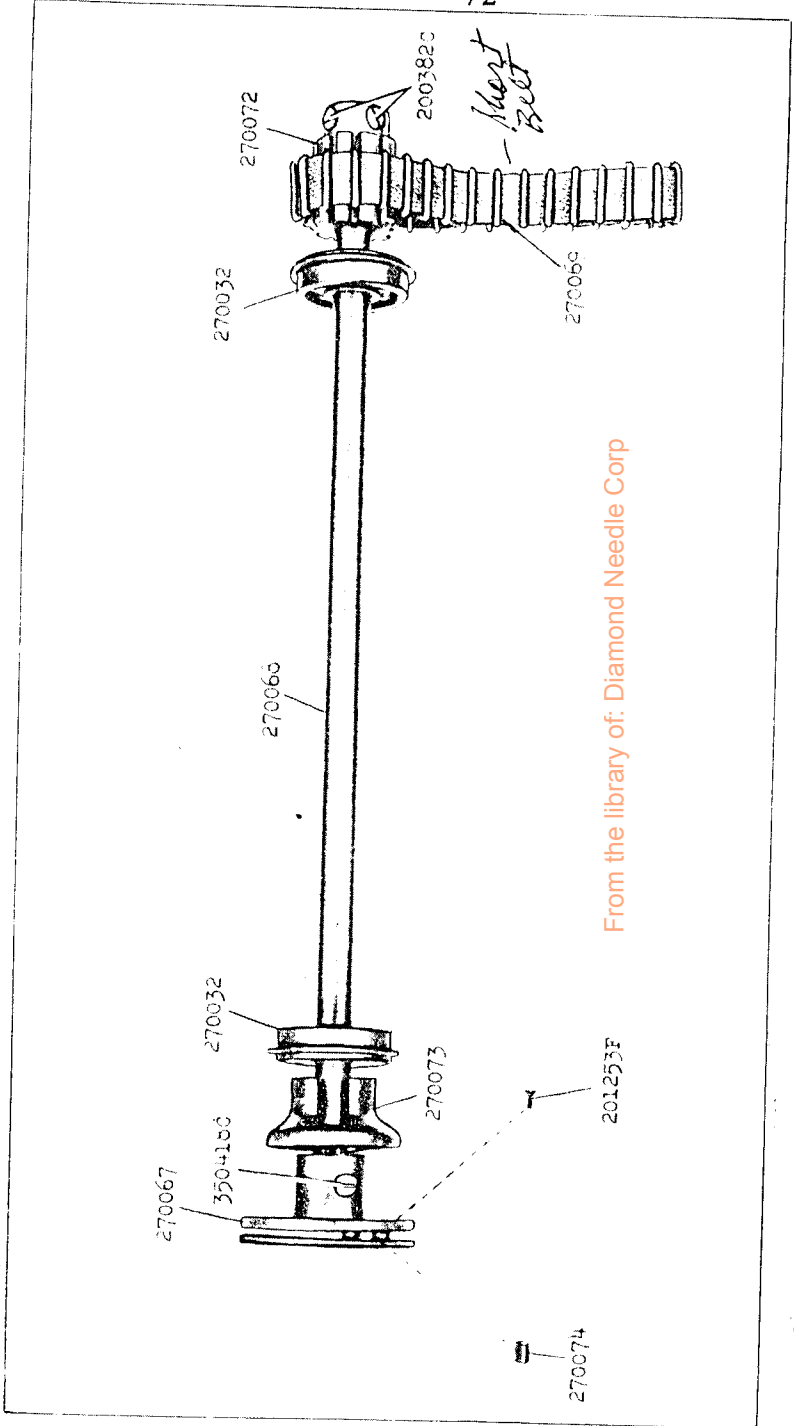
From the library of: Diamond Needle Corp



18301 - 3/8

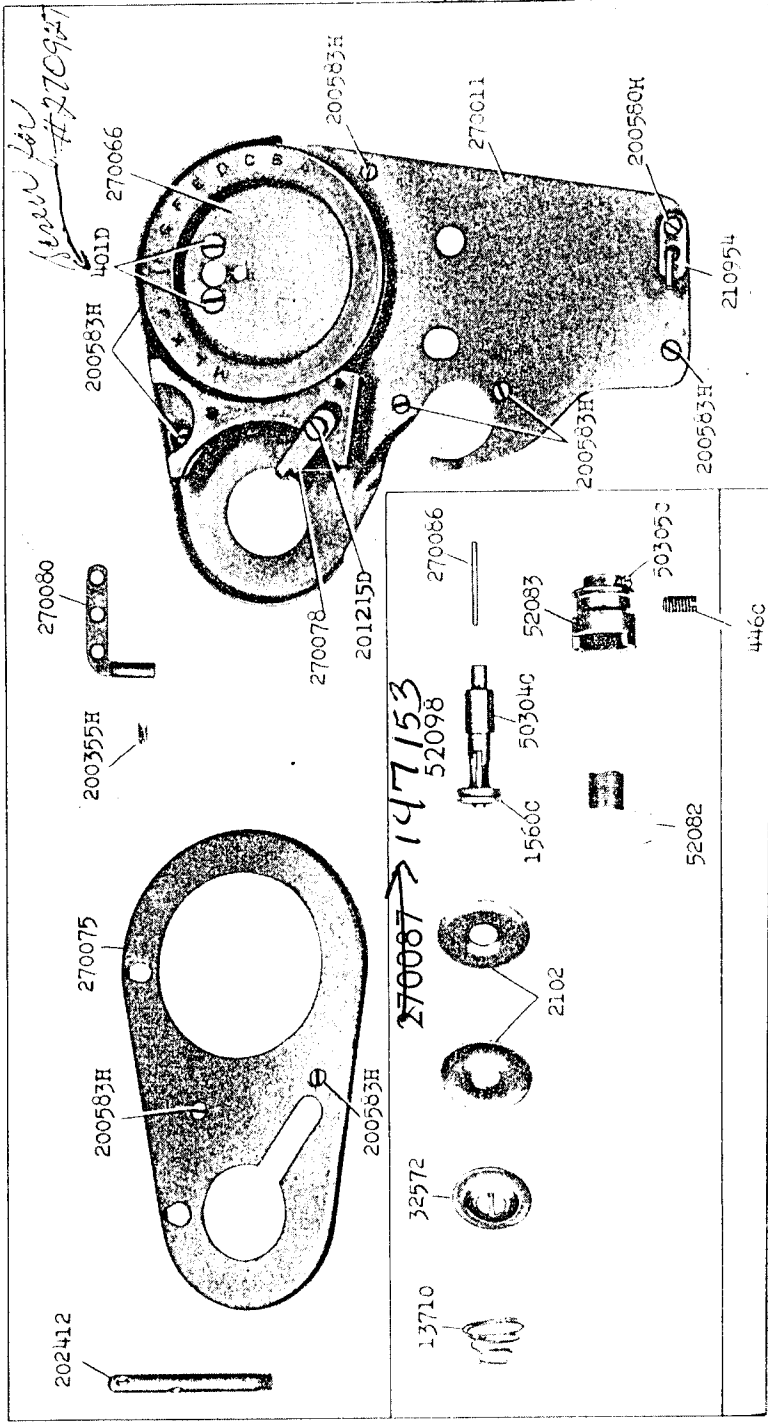


18302 - 1/2

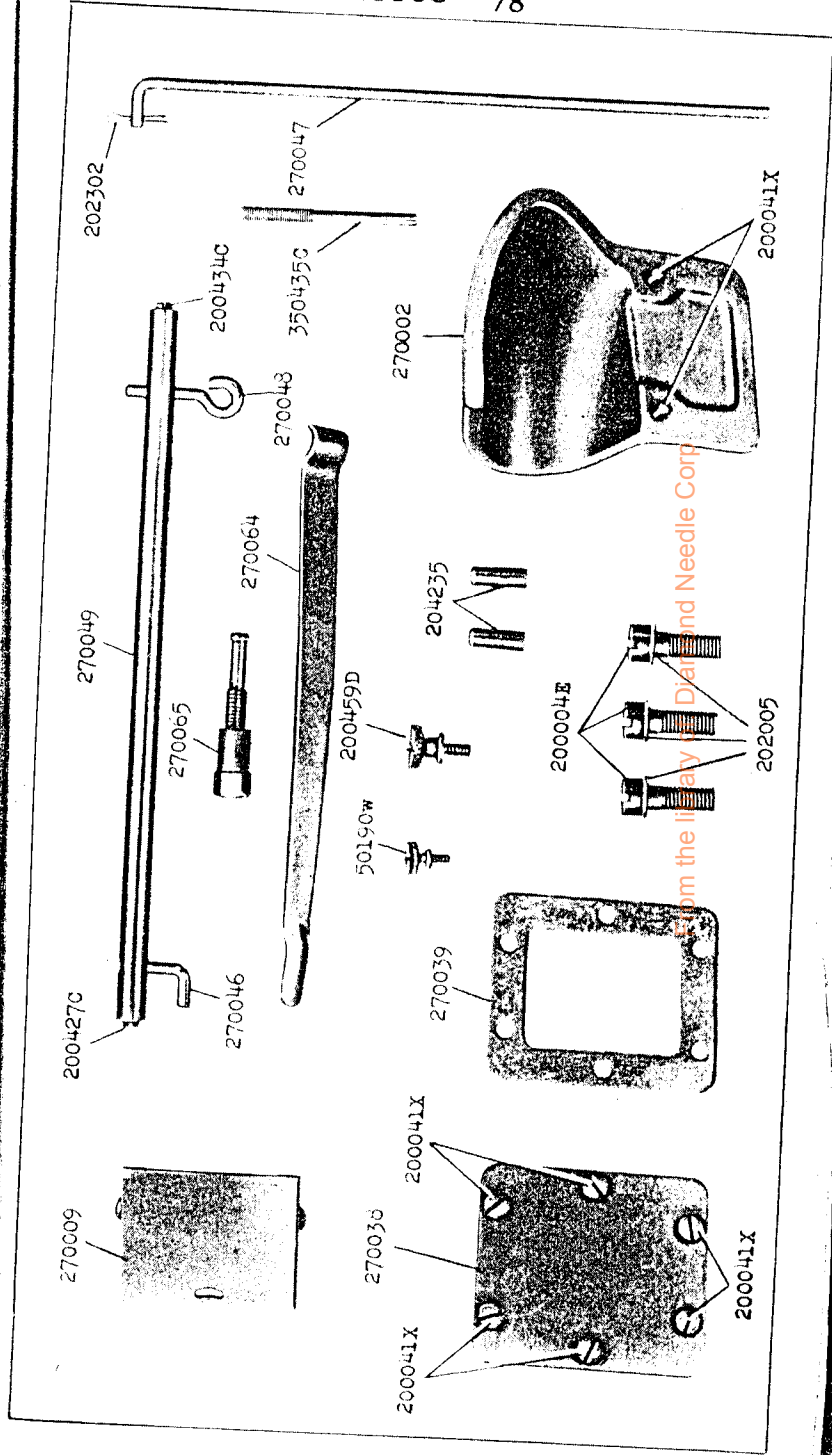


From the library of: Diamond Needle Corp

18307 - 1/2

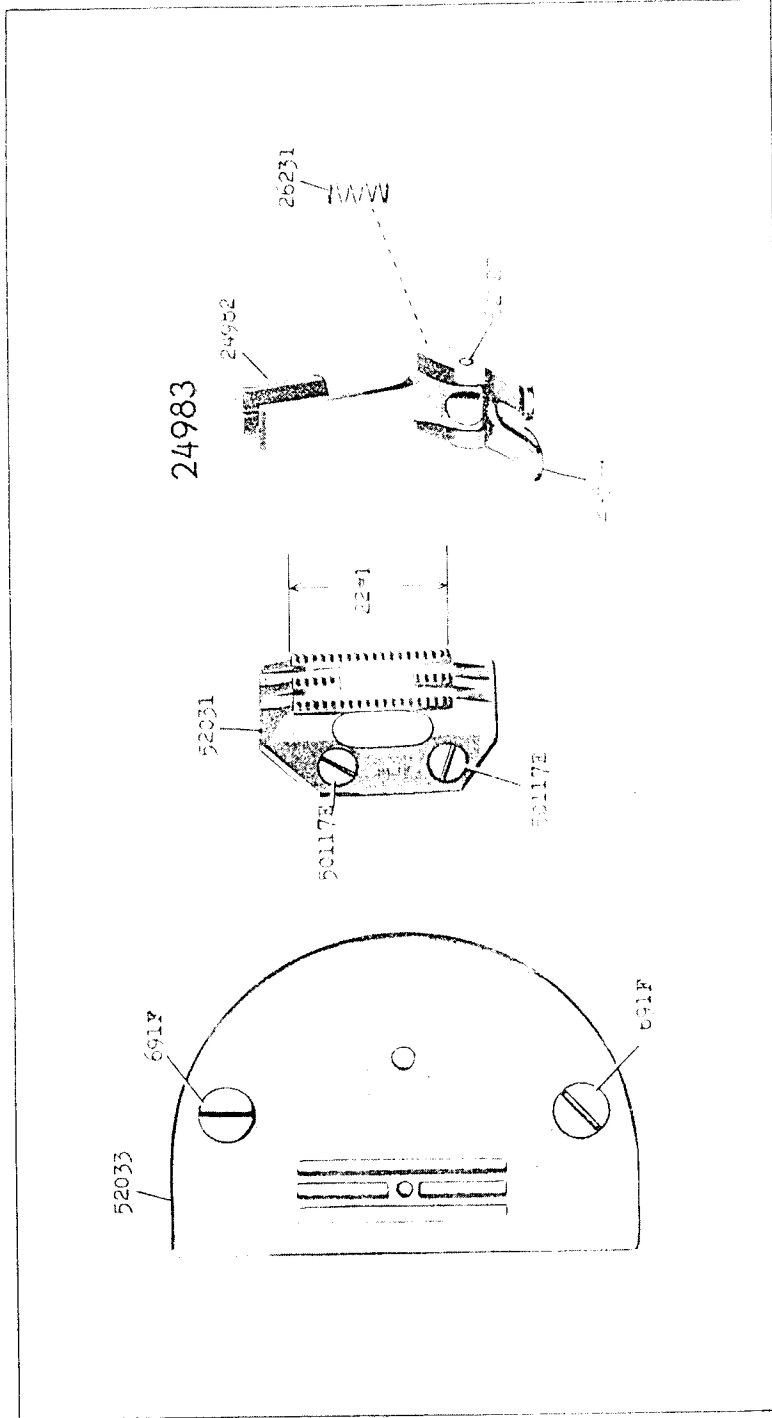


18308 - 3/8

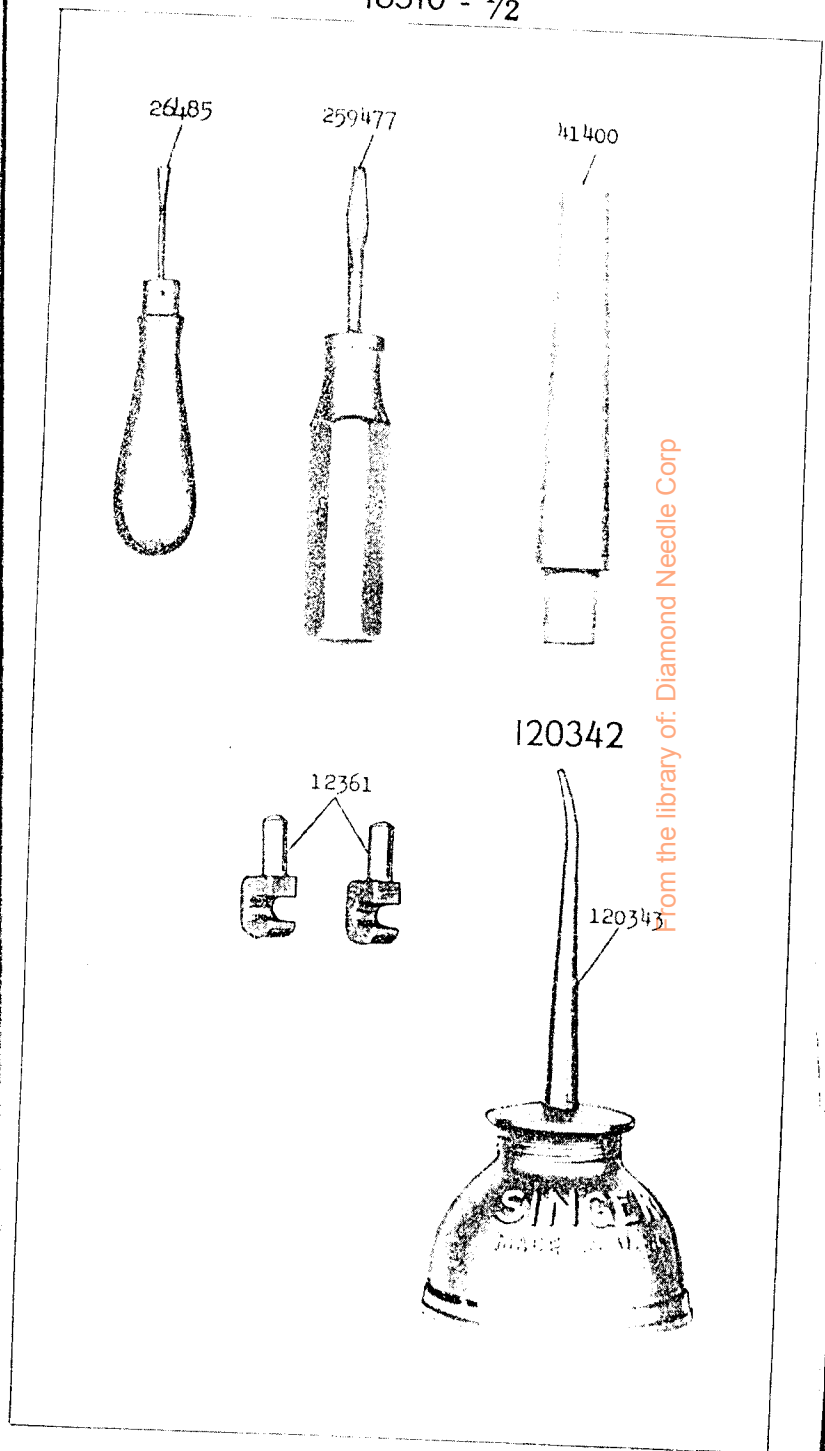


from the library of Dairy and Needle Corp

18309

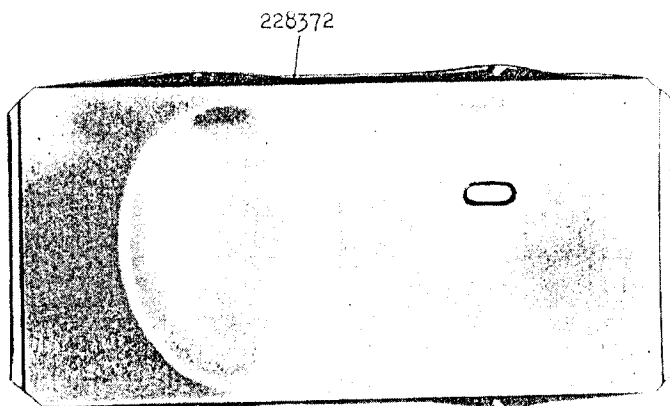


18310 - 1/2

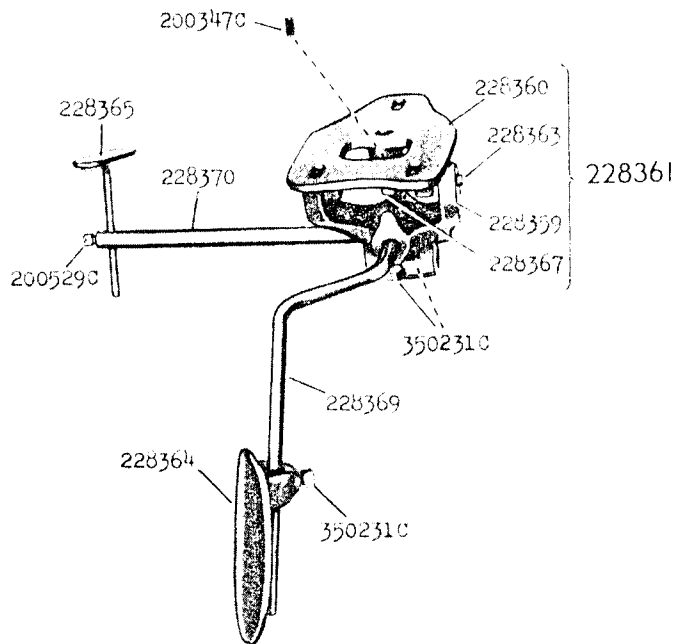


From the library of: Diamond Needle Corp

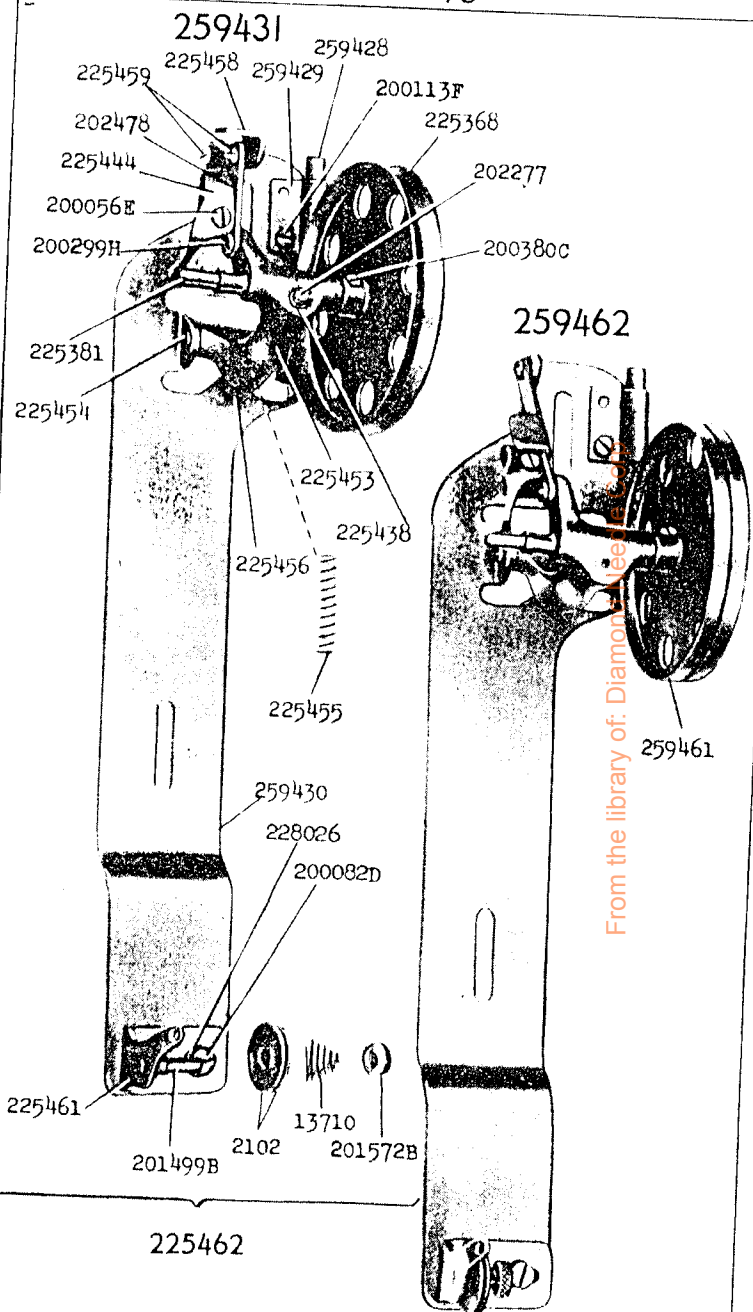
18311 - 1/4



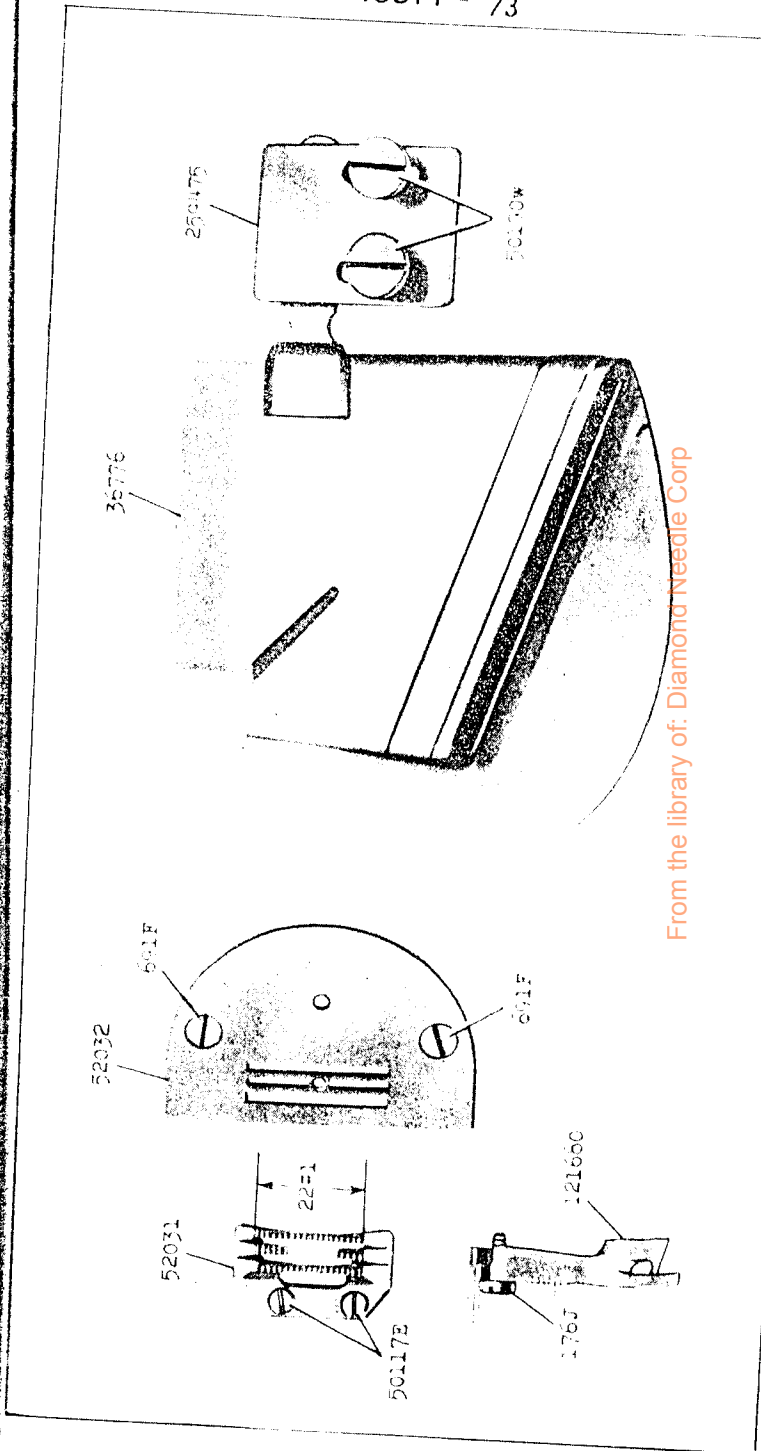
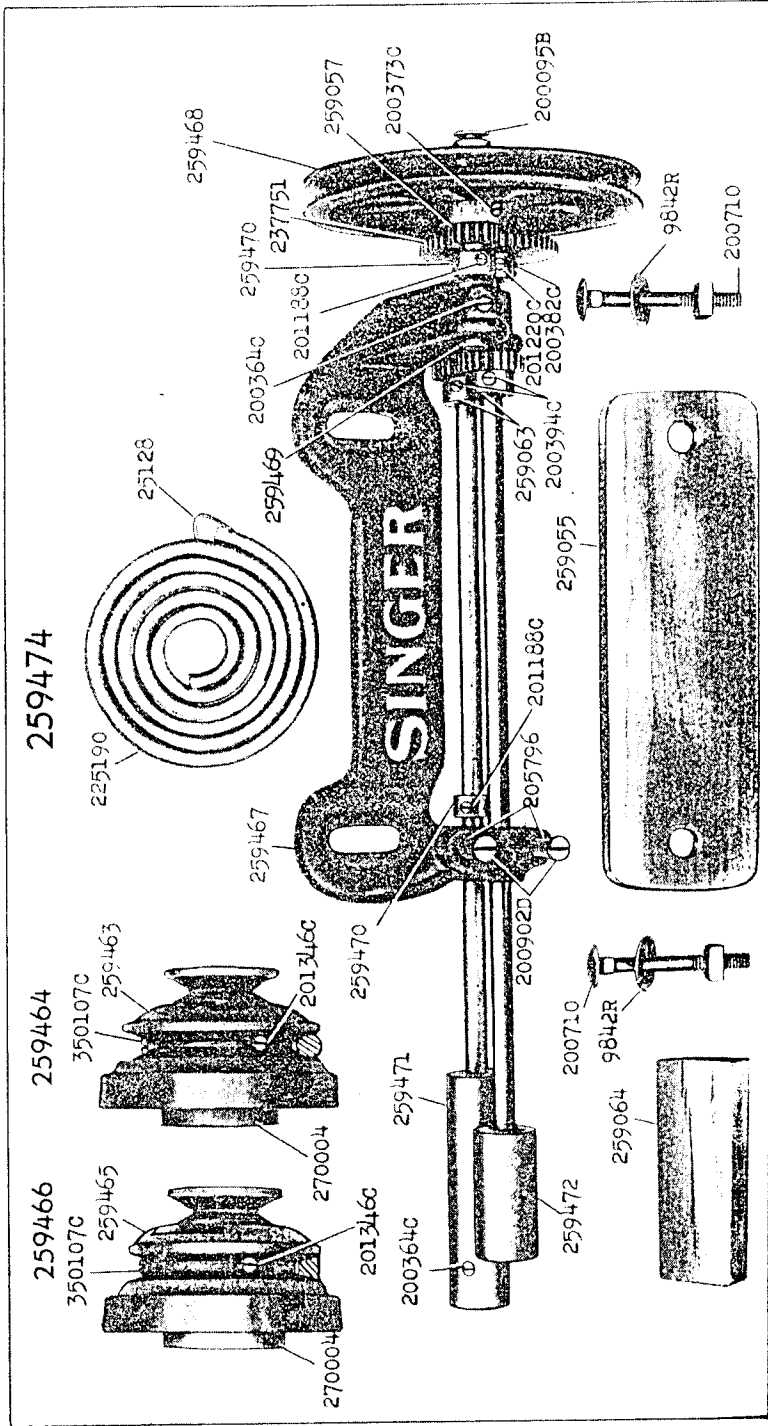
228371



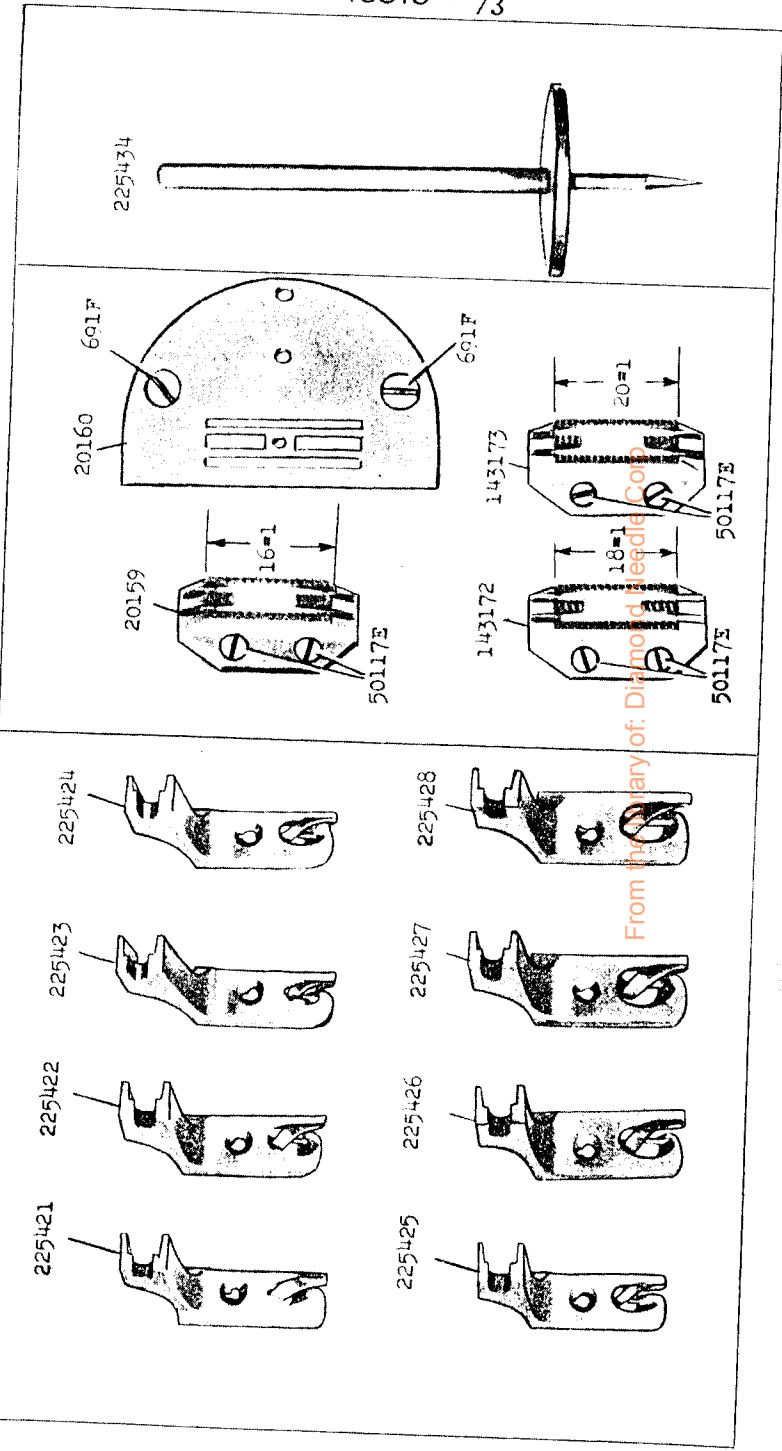
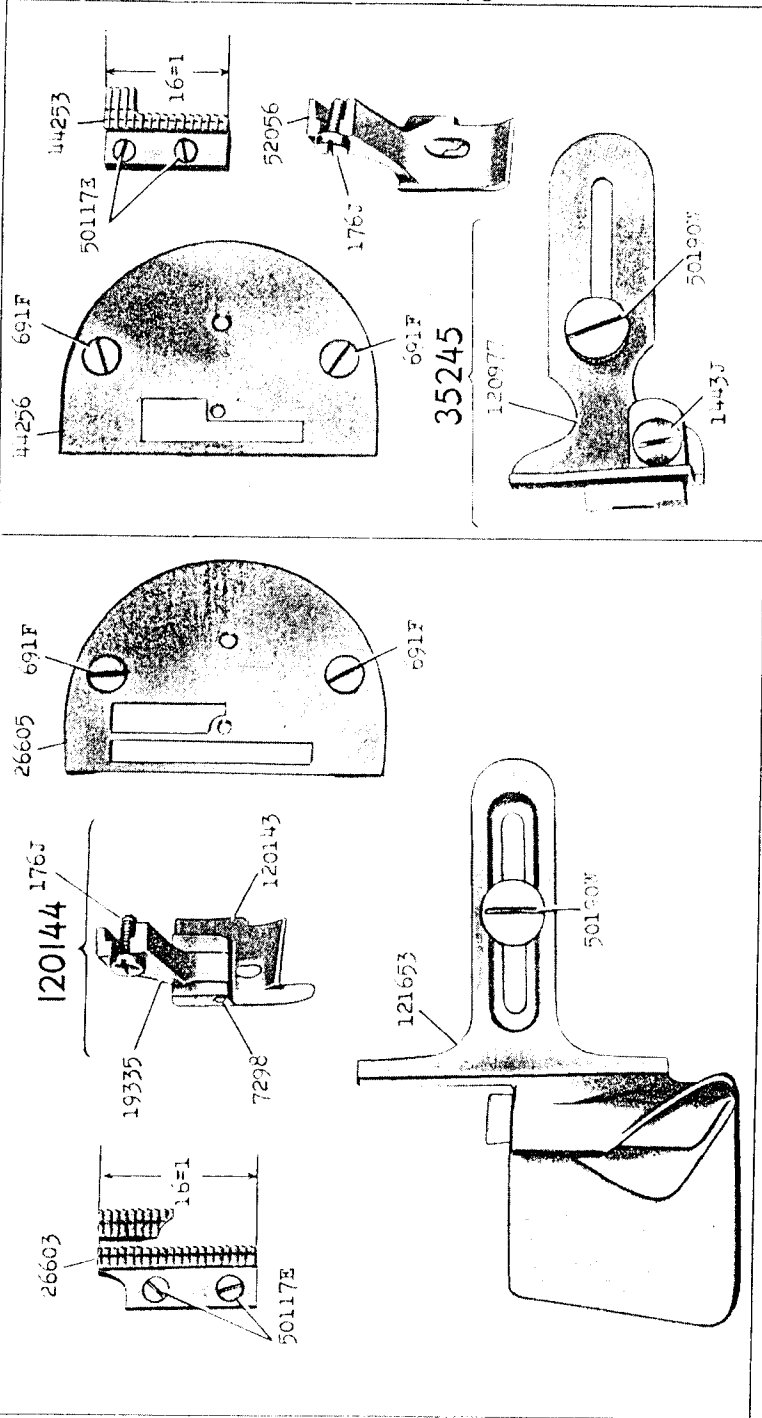
18312 - 3/8



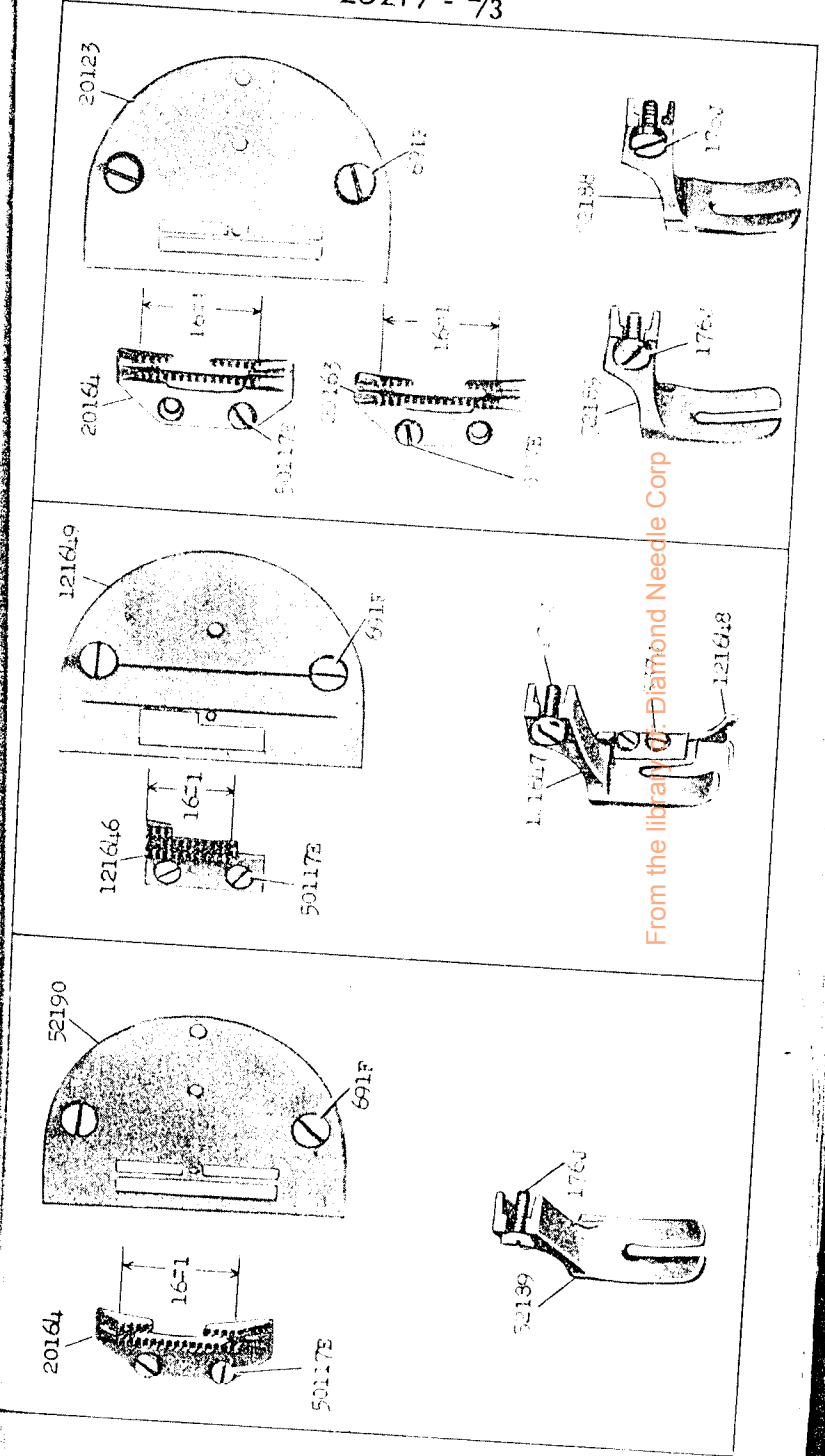
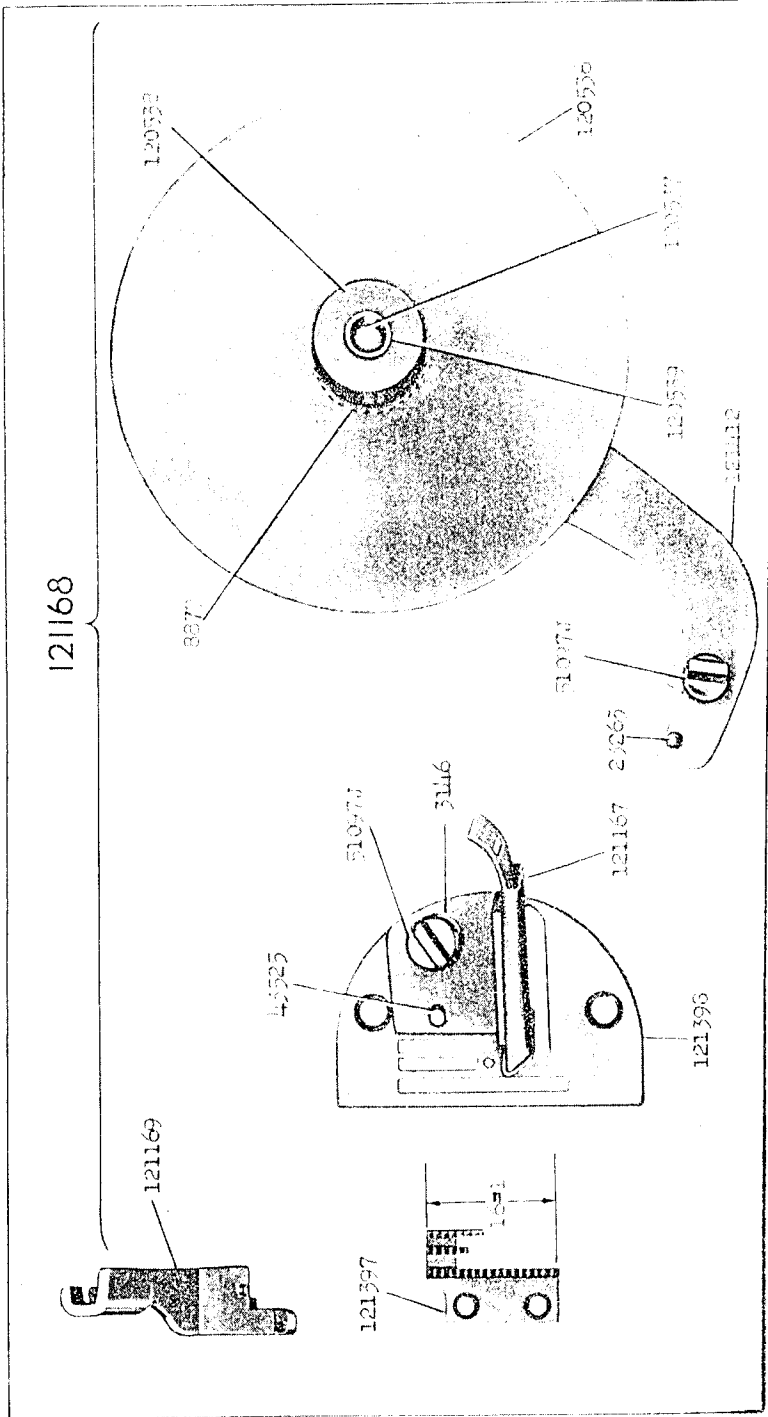
From the library of: Diamond Tool



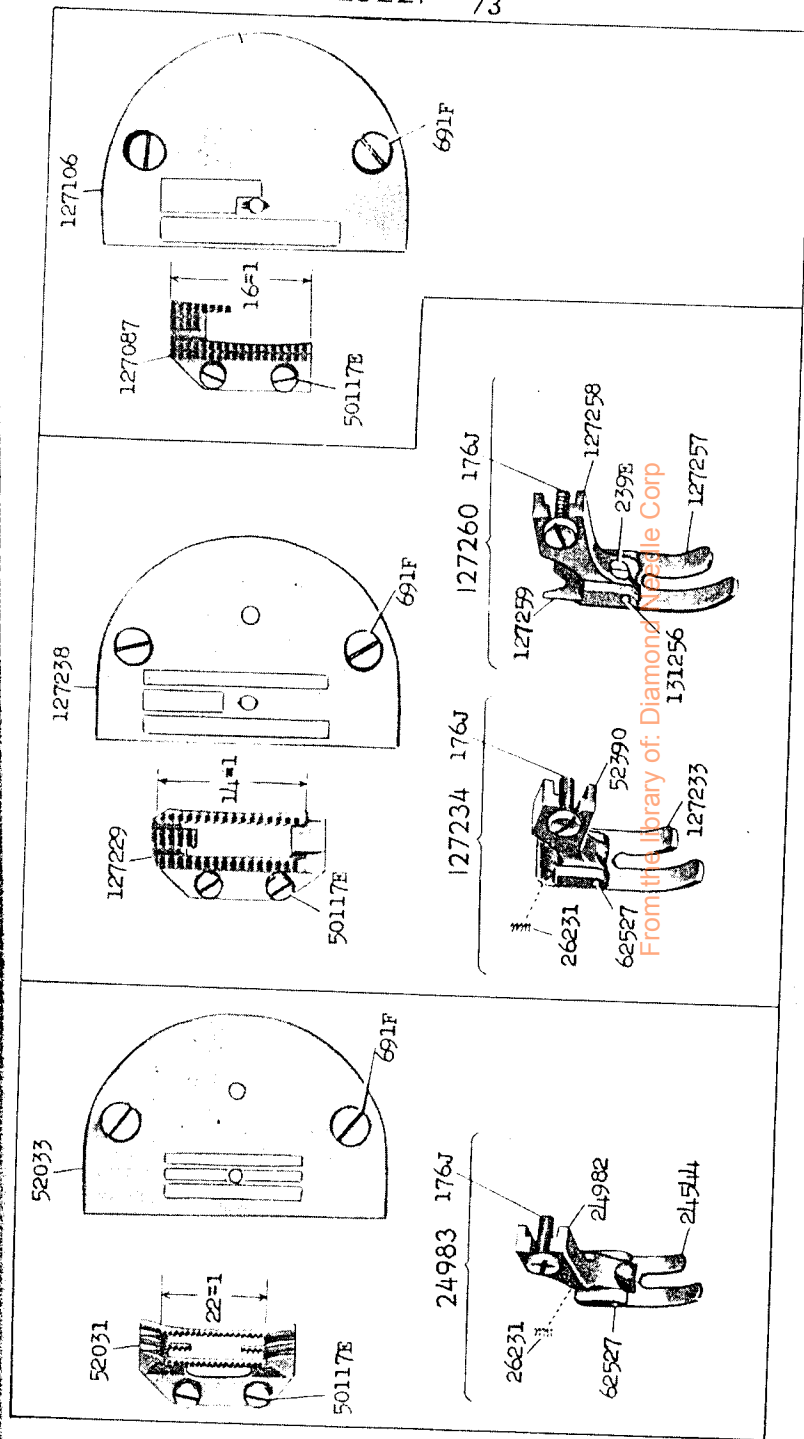
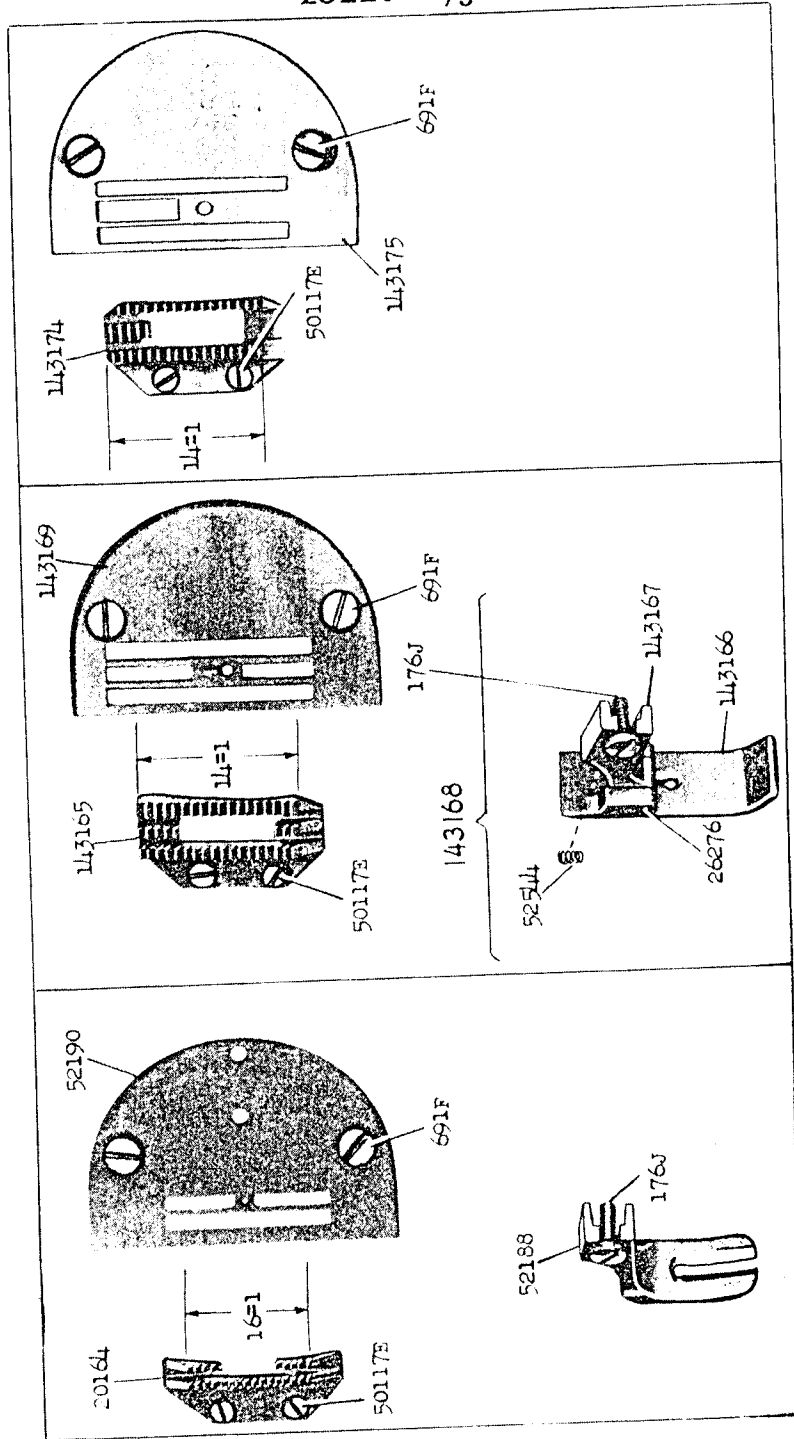
From the library of: Diamond Needle Corp



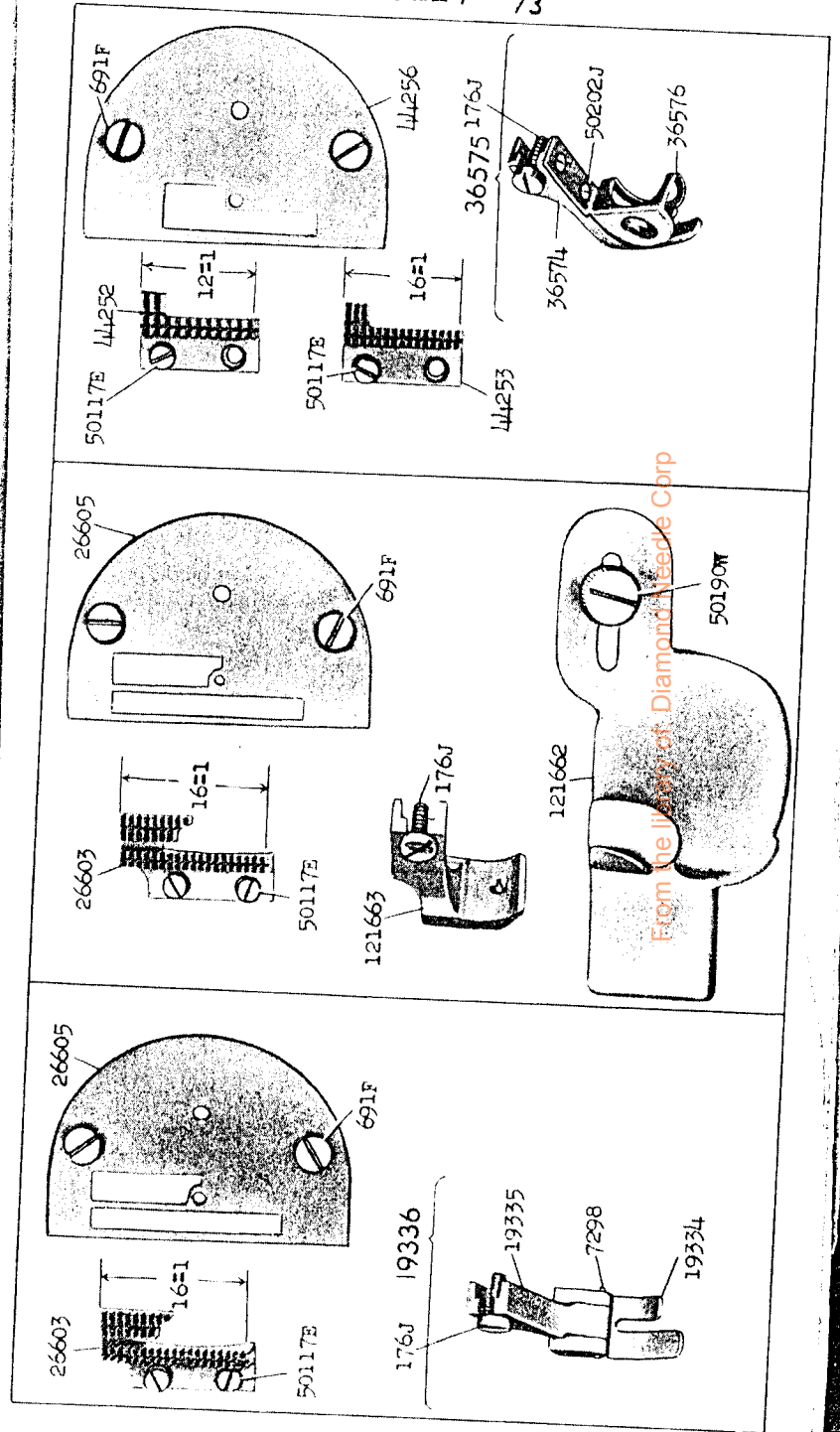
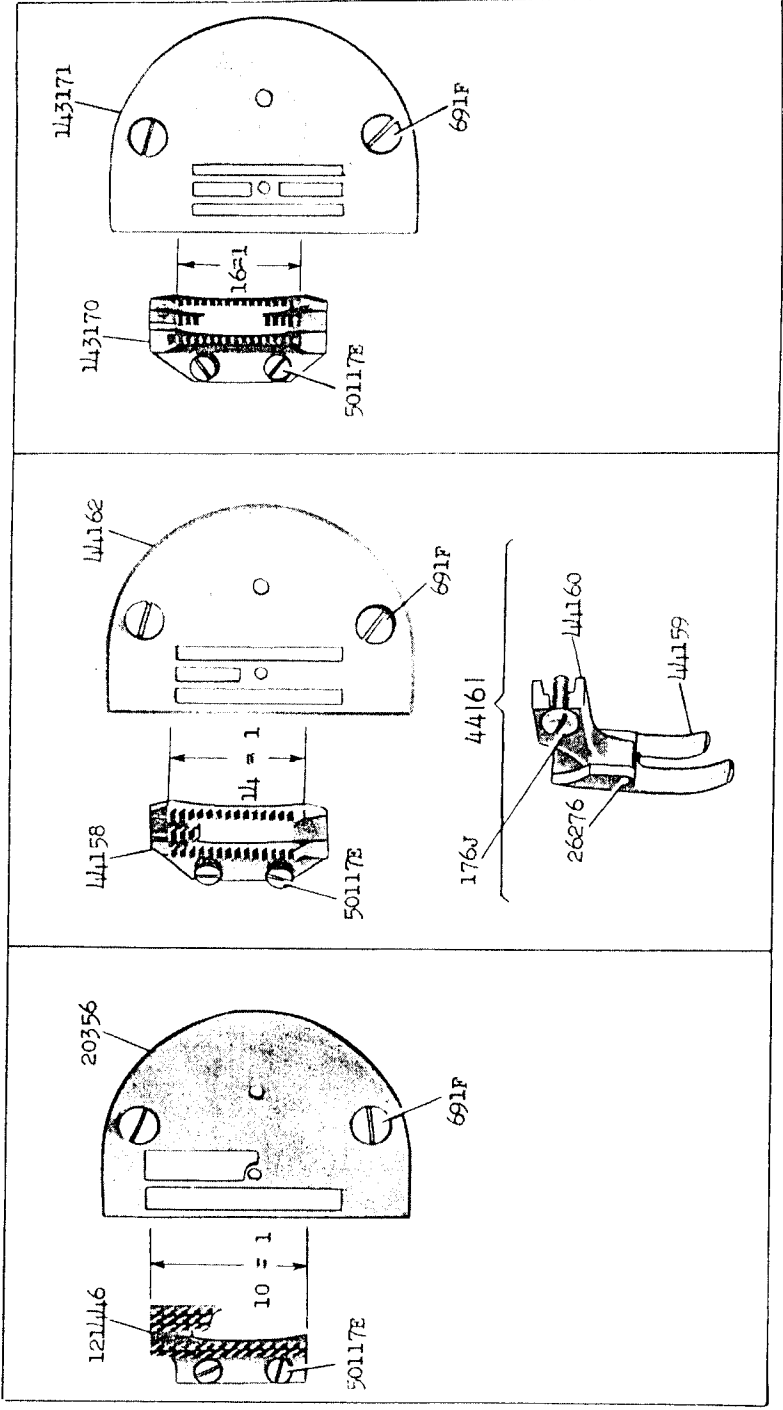
From the library of: Diamond Needle Co.



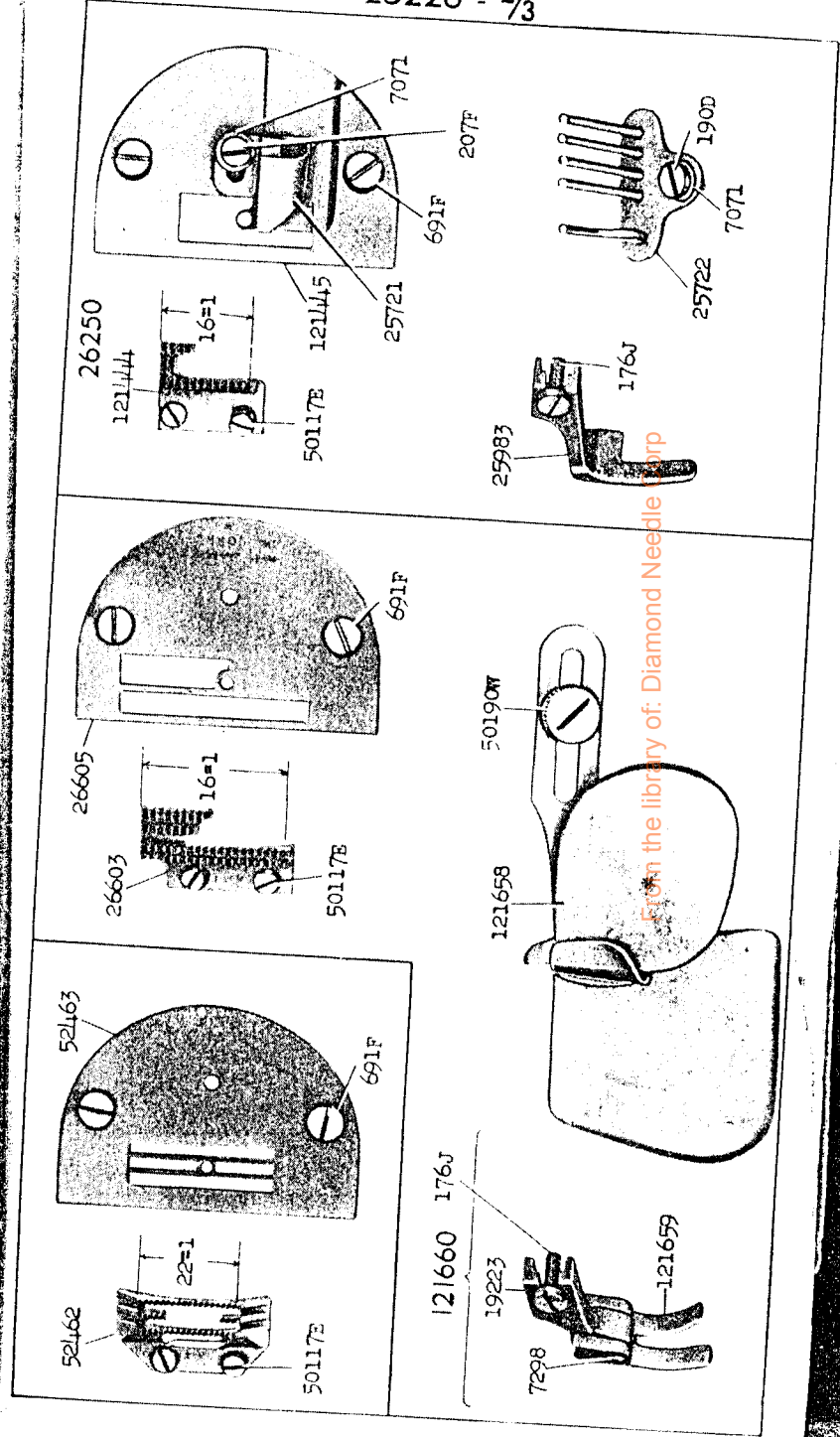
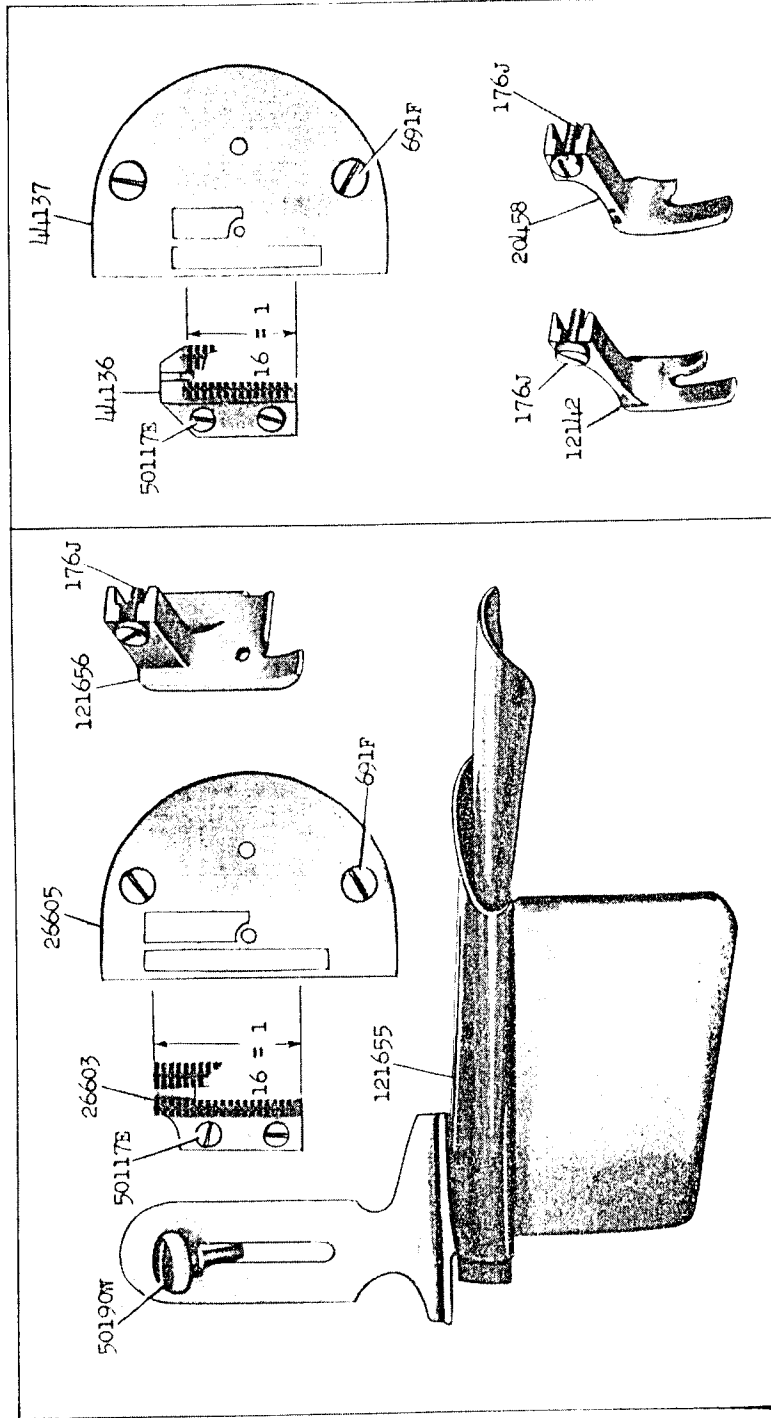
From the library of Diamond Needle Corp



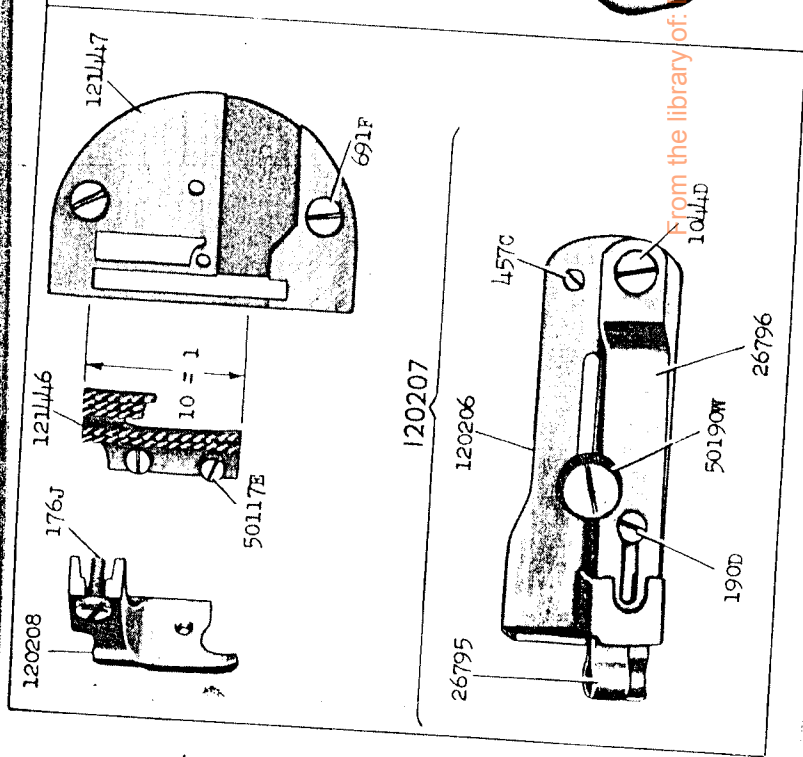
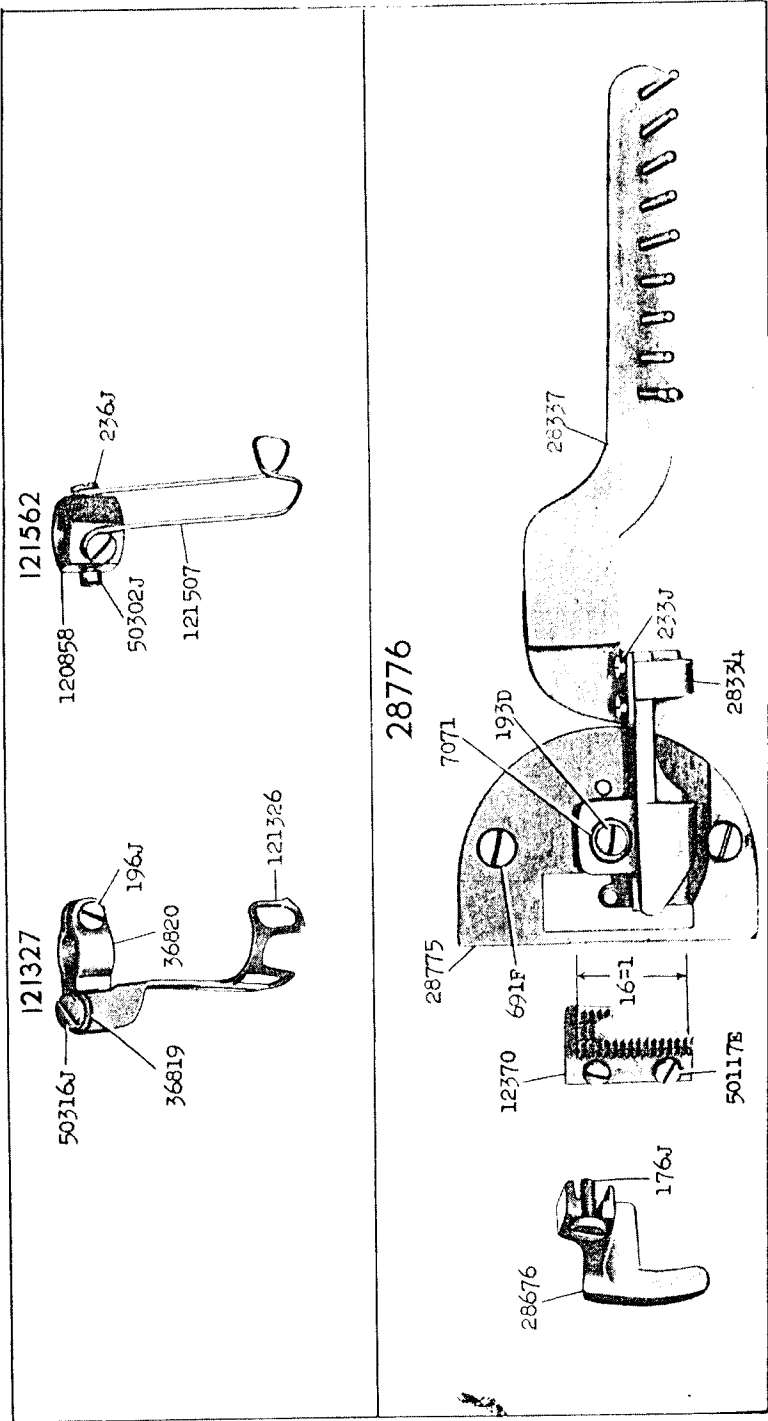
From the library of: Diamond Missile Corp



From the Library of Diamond Seede Corp



from the library of: Diamond Needle Corp



From the library of: Diamond Needle Co. 1044D

